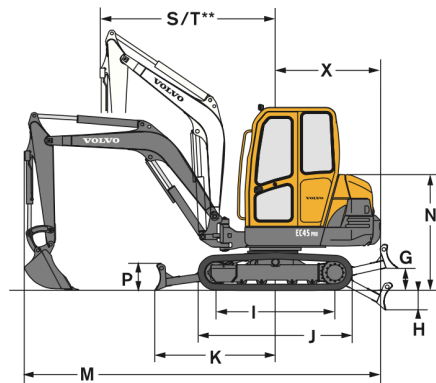


* Canopy



* front turning circle with max. offset

