



Illustration 4

g01138518

5. Remove spacer (8) from bushing (4) .

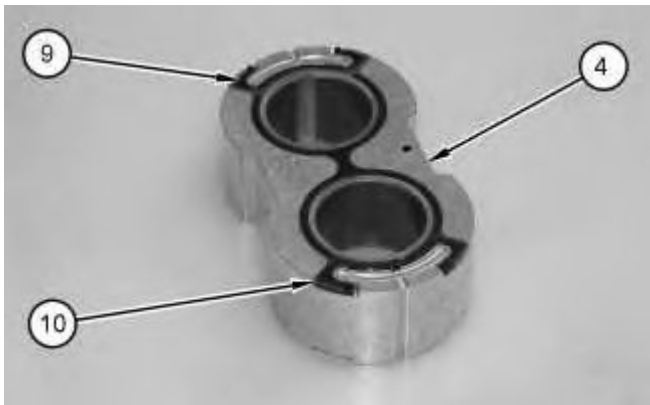


Illustration 5

g01138536

6. Remove seal (9) and backup ring (10) from bushing (4) .



Illustration 6

g01138538

7. Remove key (11) from the shaft.

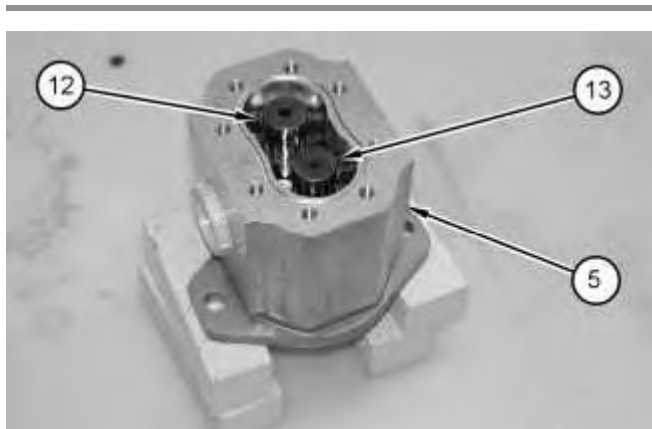


Illustration 7

g01138539

8. Remove driven gear (12) and drive gear (13) from housing (5) .

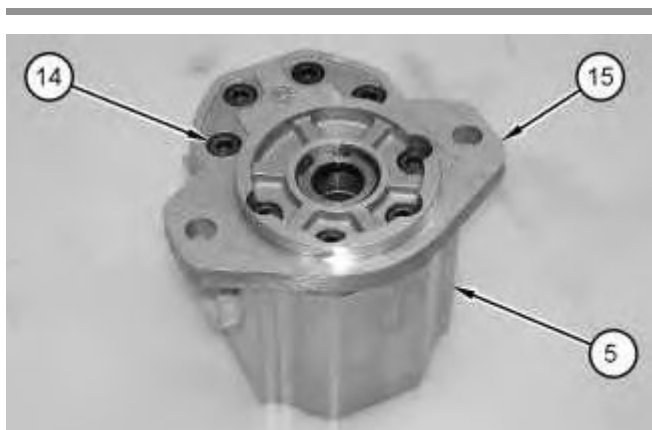


Illustration 8

g01138667

9. Remove bolts (14) and end cover (15) from housing (5) .



Illustration 9

g01138672

10. Remove O-ring seal (16) and bushing (17) from housing (5) .



Illustration 10

g01138593

11. Remove seal (18) and backup ring (19) from bushing (17) .

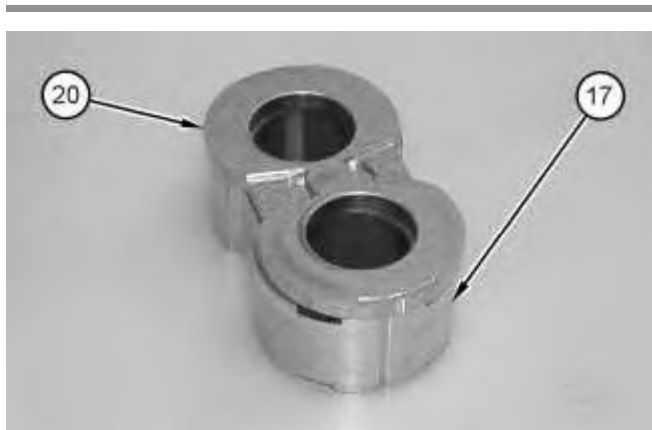


Illustration 11

g01138604

12. Remove spacer (20) from bushing (17) .

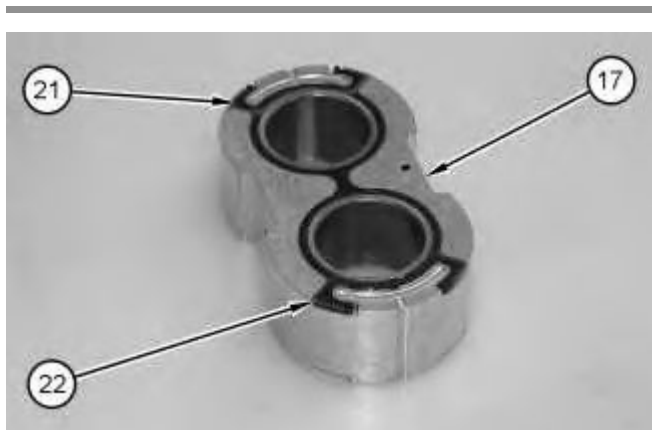


Illustration 12

g01138648

13. Remove seal (21) and backup ring (22) from bushing (17) .