



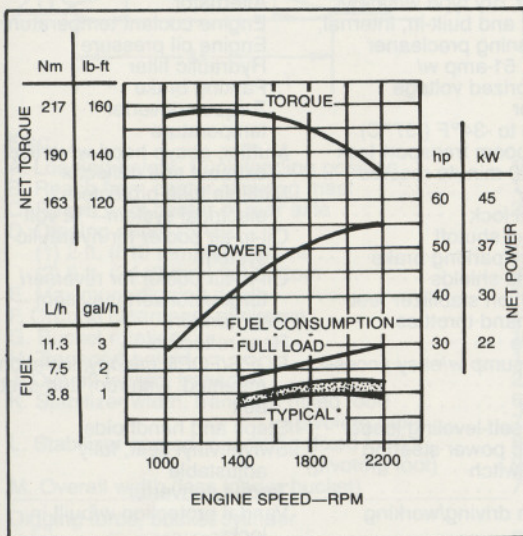
1837-1987  
**150**

## 210C BACKHOE LOADER



Model shown may include options

### ENGINE PERFORMANCE



\*Depending on operating variables

### FEATURES

- 55 SAE net hp (41 kW)
- Backhoe digging depth (SAE) 14 ft. (4.27 m)
- Unitized frame — pin-on backhoe
- Isolated engine and operator's station
- Walk-in front entry
- Designed-in quietness
- Open-center hydraulic system
- O-ring face seal hydraulic plumbing
- Weight distributed for working stability
- Self-adjusting hydraulic wet-disk brakes
- Inboard planetary final drives
- Transaxle 1st and 2nd collar shift, 3rd and 4th synchronized
- Full-power-shift reverser
- Torque converter
- Single-lever loader control
- Two-lever backhoe control
- Two-lever stabilizer control with anti-drift lock-outs
- Multi-adjustable swivel seat

- Hydrostatic power steering
- Optional soundproofed cab w/integral ROPS/ FOPS
- Vandal protection w/built-in locks
- ADD VERSATILITY WITH:**
- Mechanical front-wheel drive with:
  - Offset driveshaft for better ground clearance
- Extendable dipperstick

# Excavator Service Repair Manual

**PLEASE CLICK HERE**

**Then back to the site.**

**At the bottom of the**

**page,**

**free add to card.**

**Then get more free  
information**

John Deere 210c, 310c, 315c Loader Operation Manual in the technological know-how of archaeology. The man or woman sorts of excavation are regarded simply as digs to people who participate in, with this being an over literal description of the technique used. An excavation issues itself with a particular archaeological web page or associated collection of web sites, and can be carried on over a amount of years, thinking about that the paintings can normally instances typically be of a seasonal nature. **John Deere 210c, 310c, 315c Loader Operation Manual**

Inside of the enterprise of excavation, many lots greater strategies can be utilized, with each unmarried dig acquiring its very own precise traits which could necessitate variations of technique. Methods and different sensible problems do not permit archaeologists to carryout excavations each time and anyplace they choose, as many regarded web sites have additionally been intentionally left on my own and non excavated.

At first, excavation requires the eliminating any topsoil this is found with the aid of using an excavator machine. What is dug up can be reviewed with the aid of using a metallic detector for

## 210C BACKHOE LOADER SPECIFICATIONS

Specifications and design subject to change without notice. Wherever applicable, specifications are in accordance with SAE Standards. Except where otherwise noted, these specifications are based on a unit with 14.9-24, 6 PR, R4 rear tires; 7.50-16, 10 PR, F3 front tires, 0.88 cu. yd. (0.67 m<sup>3</sup>) loader bucket, 24-in. (610 mm) standard-duty backhoe bucket, ROPS/FOPS, full fuel tank, 175 lb. (80 kg) operator and standard equipment.

Rated Power @ 2200 rpm:	SAE	DIN 70 020
Net	55 hp (41 kW)	43 kW
Gross	58 hp (43 kW)	

Net engine power is with standard equipment including air cleaner, exhaust system, alternator, and cooling fan, at standard conditions per SAE J1349 and DIN 70 020, using No. 2-D fuel @ 35 API gravity. No derating is required up to 6000 feet (1800 m) altitude. Gross power is without cooling fan.

### Engine: John Deere 4-239D

Type	4-stroke cycle, naturally aspirated diesel
Bore and stroke	4.19 x 4.33 in. (106.5 x 110 mm)
No. of cylinders	4
Displacement	239 cu. in. (3.917 L)
Maximum net torque @ 1200 rpm	158 lb-ft (214 Nm) (21.8 kg-m)
	20 percent torque rise
Cooling fan	Suction
Compression ratio	17.8 to 1
Lubrication	Pressure system w/full-flow filter and cooler
Main bearings	5
Air cleaner	Dry
Electrical system	12 volt
Alternator	51 amps

### Torque Converter:

Single stage, dual phase, overrunning stator, 11-in. (280 mm) diameter, stall torque ratio 2.78:1

### Reverser:

Modulated, full-power shift with multiple wet-disk clutches. Reverser operating lever at left of steering wheel.

### Transmission:

Manual shift with first and second speeds having sliding collar engagement and third and fourth speeds engaged with cone-type synchronizers. Single shift lever, floor mounted.

Travel Speeds:	Gear	Forward		Reverse	
		mph	(km/h)	mph	(km/h)
With standard 14.9-24 rear and 7.50-16 front tires	1	3.3	5.3	3.2	5.2
	2	5.6	9.0	5.5	8.9
	3	12.0	19.3	11.9	19.2
	4	21.9	35.2	21.8	35.1
With MFWD and 16.9-24 (required) rear and 12.00-16.5 front tires	1	5.4	8.7	5.3	8.5
	2	5.7	9.2	5.6	9.0
	3	12.3	19.8	12.2	19.6
	4	22.4	36.1	22.3	35.9
Final Drives		Planetary, inboard			

**Service Brakes:** Hydraulic, applied with separate pedals; hydraulically equalized when both pedals are depressed. Wet disks and facings are fully enclosed and self-adjusting.

**Secondary Brake:** Mechanical "V" groove band located on differential ring gear

### Steering: Hydrostatic power

Steering axle, regular:	
Turning radius (brake applied)	9 ft. 4 in. (8.59 m)
Clearance circle (brake applied)	27 ft. 4 in. (8.33 m)
Steering wheel turns, left to right	2.2
right to left	2.9
Axle oscillation stop to stop	22 deg.
Mechanical front-wheel drive (engaged):	
Turning radius (brake applied)	10 ft. (3.05 m)
Clearance circle (brake applied)	29 ft. (8.84 m)
Steering wheel turns, left to right	2.3
right to left	2.8
Axle oscillation stop to stop	22 deg.

### Hydraulic System: Open-center

Pressure, main relief	2500 psi (17 238 kPa) (175.8 kg/cm <sup>2</sup> )
Pump	Gear type
Flow @ 2200 rpm	24 gpm (1.51 L/s)
Filter, return oil	10 micron, steel-enclosed replaceable element

Hydraulic Cylinders:	Bore		Stroke		Rod	
	In.	(mm)	In.	(mm)	In.	(mm)
Loader boom (2)	2.76	70	30.8	782	1.77	45
Loader bucket (1)	2.76	70	28.1	715	1.75	40
Backhoe boom (1)	3.94	100	34.9	886	1.97	50
Backhoe crowd (1)	3.54	90	33.0	838	1.77	45
Backhoe bucket (1)	3.15	80	31.0	788	1.77	45
Backhoe swing (2)	3.15	80	27.4	226	1.77	45
Backhoe extendable dipper (1)	2.50	64	48.0	1220	1.25	32
Backhoe stabilizers (2)	3.54	90	15.5	394	1.77	45
Steering (1) regular axle	2.00	51	9.5	241	1.00	25
Steering (1) MFWD	2.00	51	12.6	320	1.00	25

Tires:	Front	Rear
	7.50-16, 10 PR, F3 11L-15, 8 PR, I-1A	14.9-24, 6 PR, R4 16.9-24, 6 PR, R3 17.5L-24, 8 PR, R4 16.9-24, 8 PR, R4
MFWD	12.00-16.5, 8 PR, R4	

### Wheel Treads:

Front	56 in. (1420 mm)
Rear	60 in. (1525 mm)
MFWD—Front	68 in. (1730 mm)
—Rear	62 in. (1575 mm)

Wheelbase	82.7 in. (2100 mm)
w/MFWD	83.3 in. (2116 mm)

Axle Ratings:	Static Rating	Dynamic Rating	SAE J43
Front	36,300 lb. (16 500 kg)	36,300 lb. (16 500 kg)	8700 lb. (4000 kg)
Rear	41,100 lb. (18 700 kg)	54,800 lb. (24 900 kg)	11,500 lb. (5300 kg)

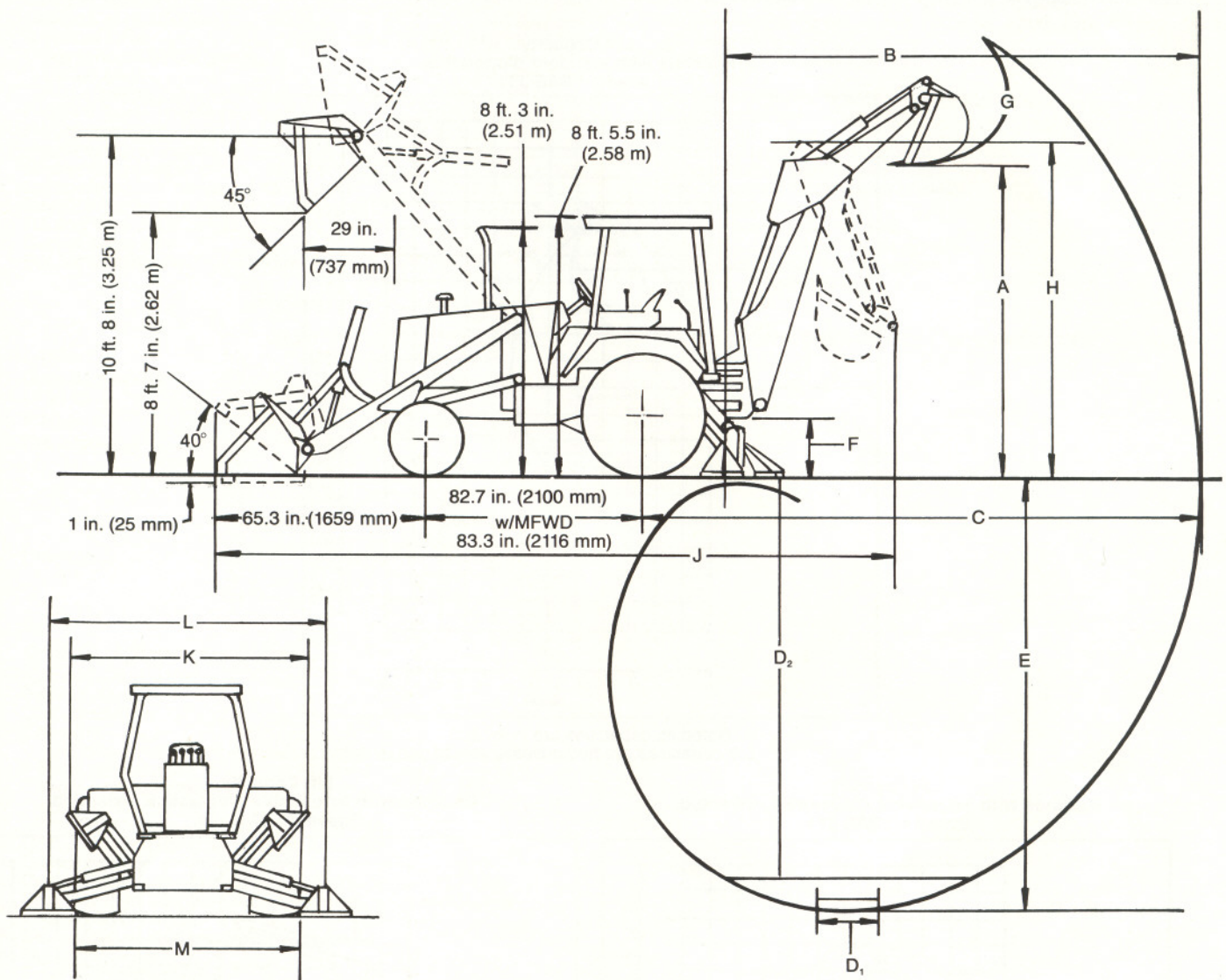
Capacities:	U.S.	Liters
Fuel tank	23 gal.	87
Engine coolant	17 qt.	16
Engine oil including filter	9 qt.	8.5
Torque converter and reverser system	8 qt.	7
Hydraulic system	16 gal.	60

### Additional Standard Equipment:

Air cleaner restriction indicator	Monitor for:
Air cleaner, dry type w/safety element and built-in, internal, self-cleaning precleaner	Alternator
Alternator, 51-amp w/transistorized voltage regulator	Engine coolant temperature
Antifreeze to -34°F (-37°C)	Engine oil pressure
Backhoe boom transport lock	Hydraulic filter
Battery, 110-minute reserve capacity	Parking brake
Differential lock	Torque converter temperature
Electric fuel shutoff	Muffler, above hood w/vertical exhaust and deflector
Emergency/parking brake	Multiple fuse protected electrical system—12 volt
Engine side shields	Oil-to-air cooler for hydraulic system
Fixed position stabilizer feet	Oil-to-air cooler for reverser/torque converter system
Foot and hand throttles	Rear fenders
Fuel gauge	Rear reflectors
Fuel tank sump w/easy access drain	ROPS/FOPS canopy, isolation mounted, with roof and seat belt
Hourmeter	Steps and handholds
Hydraulic self-leveling loader	Swivel vinyl seat, fully adjustable
Hydrostatic power steering	Torque converter
Key start switch	Vandal protection w/built-in locks
Lights:	
Halogen driving/working lights	
Taillight	
Loader bucket level indicator	

**SAE Operating Weight** 10,500 lb. (4723 kg)

## 210C BACKHOE LOADER SPECIFICATIONS AND DIMENSIONS



### Key:

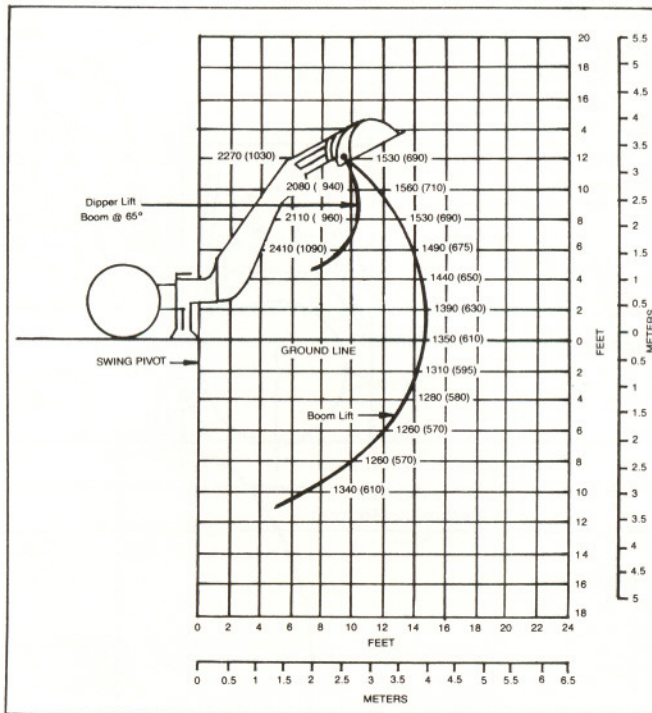
	Backhoe	Retracted	Extended
A. Loading height, truck loading position	10 ft. 5 in. (3.18 m)	10 ft. 8 in. (3.25 m)	12 ft. 4 in. (3.76 m)
B. Reach from center of swing mast	17 ft. 3 in. (5.25 m)	17 ft. 3 in. (5.26 m)	20 ft. 11 in. (6.38 m)
C. Reach from center of rear axle	20 ft. 6 in. (6.25 m)	20 ft. 6 in. (6.25 m)	24 ft. 2 in. (7.37 m)
D. Digging depth (SAE):			
(1) 2-ft. (610 mm) flat bottom	13 ft. 9 in. (4.19 m)	13 ft. 9 in. (4.19 m)	17 ft. 8 in. (5.39 m)
(2) 8-ft. (2440 mm) flat bottom	12 ft. 7 in. (3.84 m)	12 ft. 7 in. (3.84 m)	16 ft. 9 in. (5.11 m)
E. Maximum digging depth	14 ft. (4.27 m)	14 ft. (4.27 m)	17 ft. 9 in. (5.41 m)
F. Ground clearance, minimum	11 in. (282 mm)	11 in. (282 mm)	11 in. (282 mm)
G. Bucket rotation	160/180 degrees	160/179 degrees	160/179 degrees
H. Transport height	11 ft. 5 in. (3.48 m)	11 ft. 5 in. (3.48 m)	11 ft. 5 in. (3.48 m)
J. Overall length, transport	23 ft. (7.01 m)	23 ft. 3 in. (7.09 m)	23 ft. 3 in. (7.09 m)
K. Stabilizer width, transport (fixed foot)	6 ft. 7 in. (2.00 m)	6 ft. 7 in. (2.00 m)	6 ft. 7 in. (2.00 m)
(pivoting foot)	7 ft. 4 in. (2.23 m)	7 ft. 4 in. (2.23 m)	7 ft. 4 in. (2.23 m)
L. Stabilizer spread, operating (fixed foot)	8 ft. 5 in. (2.57 m)	8 ft. 5 in. (2.57 m)	8 ft. 5 in. (2.57 m)
(pivoting foot)	9 ft. 1 in. (2.77 m)	9 ft. 1 in. (2.77 m)	9 ft. 1 in. (2.77 m)
M. Overall width (less loader bucket)	75 in. (1905 mm)	75 in. (1905 mm)	75 in. (1905 mm)
Digging force, bucket cylinder (power dig position)	9600 lb. (42.7 kN) (4355 kg)	9610 lb. (42.7 kN) (4359 kg)	9600 lb. (42.7 kN) (4355 kg)
Digging force, crowd cylinder	5200 lb. (23.1 kN) (2360 kg)	5200 lb. (23.1 kN) (2360 kg)	3510 lb. (15.6 kN) (1590 kg)
Swing arc	180 degrees	180 degrees	180 degrees
Operator control	Two levers	Right foot treadle	Right foot treadle
Bucket positions	21 or 30 deg. rollback	19 or 28 deg. rollback	22 or 32 deg. rollback
Stabilizer angle rearward	12 degrees	12 degrees	12 degrees
Lifting capacity, maximum, boom @ 65°	2400 lb. (1090 kg)	2200 lb. (1000 kg)	1370 lb. (620 kg)
Leveling angle—(fixed foot)	8.5 degrees	8.5 degrees	8.5 degrees
(pivoting foot)	11 degrees	11 degrees	11 degrees

Note: Backhoe specifications are with 24-in. (610 mm) standard bucket

**210C BACKHOE LOADER LIFTING CAPACITIES**

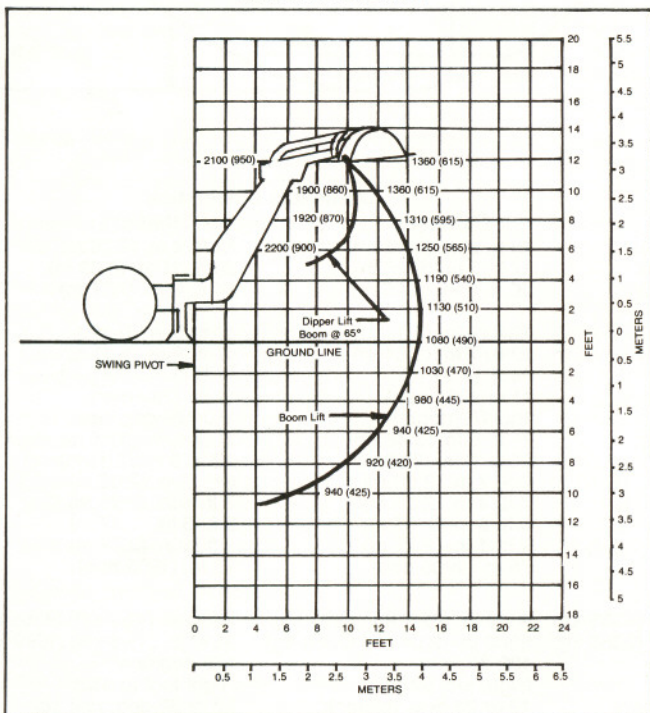
Lifting Capacity Ratings made from bucket hinge pin, loader bucket and stabilizer on firm, level ground. Lifting capacities are 87 percent of the maximum lift over any point on the swing arc and do not exceed 75 percent of the tipping load. Angle between boom and ground at 65 degrees. Machine equipped with 24-in. (610 mm) trenching bucket, standard or optional dipperstick (as indicated below) and standard equipment.

**Lift Capacity  
Backhoe with standard dipperstick.  
Based on SAE J31.**



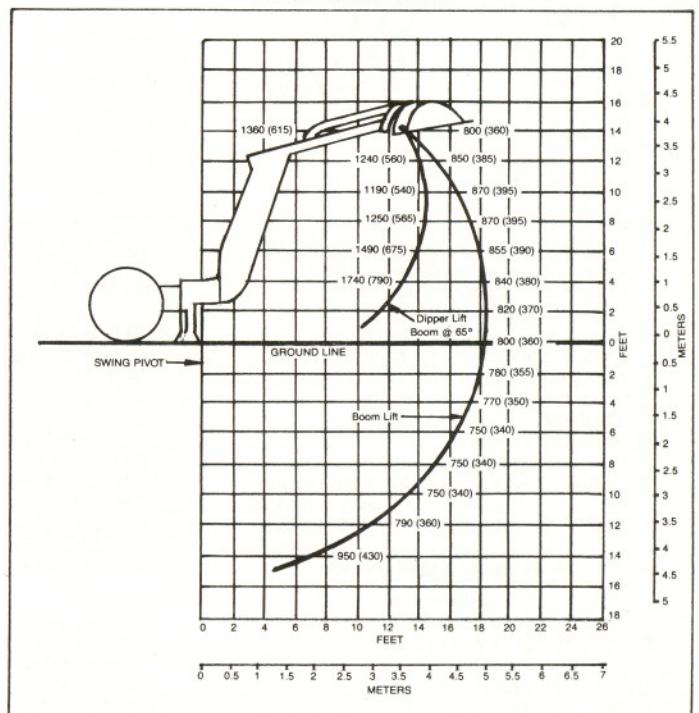
Rated lift capacities are in lb. (kg)  
Lift capacities are hydraulically limited.

**Lift Capacity  
Backhoe with extendable dipperstick, retracted.  
Based on SAE J31.**



Rated lift capacities are in lb. (kg)  
Lift capacities are hydraulically limited.

**Lift Capacity  
Backhoe with extendable dipperstick, extended.  
Based on SAE J31.**



Rated lift capacities are in lb. (kg)  
Lift capacities are hydraulically limited.

## 210C BACKHOE LOADER

### LOADER:

Operator control	Single lever
Rollback at ground level	40 degrees
Breakout force	6800 lb. (30.1 kN) (3085 kg)
Digging depth below ground, bucket level	1 in. (25 mm)
Lifting capacity, full height	4700 lb. (2140 kg)
Height to bucket hinge pin, max.	10 ft. 8 in. (3.25 m)
Height to top of canopy	8 ft. 5.5 in. (2.58 m)
Height to top of muffler	8 ft. 3 in. (2.51 m)
Bucket dump angle, max.	45 degrees
Dump clearance, bucket @ 45 degrees	8 ft. 7 in. (2.62 m)
Reach at full height, bucket @ 45 degrees	29 in. (737 mm)
Raising time to full height	4.8 sec.
Bucket dump time	1.1 sec.
Bucket lowering time (power down)	2.8 sec.

### BUCKETS

Loader:	Width		Heaped Capacity	
	In.	(mm)	Cu. Yd.	(m <sup>3</sup> )
General purpose	81	(2057)	0.88	(0.67)
Long lip	89	(2260)	1.0	(0.76)
Backhoe:			Cu. Ft.	(m <sup>3</sup> )
Standard-duty	12	(305)	2.5	0.07
	16	(407)	3.6	0.10
	18	(457)	4.1	0.12
	24	(610)	6.0	0.17
	30	(762)	7.9	0.22
	36	(914)	9.9	0.28
Heavy-duty	18	(457)	4.1	0.12
	24	(610)	6.0	0.17
	24	(610)	7.5	0.21

### Optional or Special Equipment:

- Automatic return-to-dig
- Backup alarm
- Cab pressurizer
- Cab with:
  - Fabric-covered swivel seat, suspension or non-suspension
  - Front defroster fan
  - Front and rear wipers
  - Integral ROPS/FOPS
  - Standard heater—19,000 Btu/hr (5.6 kW)
- Cold-weather starting aid, remote mounted
- Deluxe cab interior trim package
- Deluxe heater w/fresh air intake—40,000 Btu/hr (11.7 kW)
- Economy seat, vinyl covered, suspension or rigid mounted
- Engine coolant heater
- Extendable dipperstick for backhoe
- Fire extinguisher
- Front counterweight
- Heavy counterweighted front axle
- Heavy-duty batteries
- Horn
- Instrument panel vandal cover
- Lights:
  - Front rear turn signal lights
  - Rear brake lights
  - Rear halogen work lights
  - Rotating beacon light
- Mechanical front-wheel drive
- Rear defroster fan
- Rearview mirror, inside mounted, curved, heavy-duty
- Rear wheel spacers for tire chain clearance
- Reversible stabilizer pads
- Tachometer/hourmeter
- Three-point hitch w/single or four function hydraulics
- SMV emblem
- Stabilizer w/pivoting feet
- 3-in. (76 mm) seat belt
- Three- or four-lever, pedal-swing backhoe controls
- Toolbox

### Additional Available Equipment:\*

- Auxiliary bolt-on cutting edge for loader buckets
- Auxiliary hydraulic valves and circuit for loader and backhoe
- Backhoe lift eye
- Bolt-on teeth for loader bucket
- Floor mat
- Front counterweight, extra (side mounted)
- Front windshield and door kit
- Grille guard
- Lateral slides for operator's seat
- Loader bucket chain hooks, outer
- Light materials/snow loader buckets
- MFWD drive shaft guard
- Multipurpose loader buckets
- Quick-hitch backhoe bucket system
- Quick-hitch loader bucket system
- Radio or radio cassette
- Special paint

\* See your John Deere dealer for further information

# Excavator Service Repair Manual

stray unearths however except the excavation web page has persevered to be untouched for a prolonged duration of time, there's a tiny layer of present day fabric at the floor this is of constrained archaeological interest.

In farm areas, any form of archaeological attributes need to be apparent underneath the floor. With city areas, they'll be thick layers of human deposits and simplest the uppermost may be seen to the bare eye. With both case, the first actual project is drawing a scaled web page plan which could display the rims of the excavation. This approach may be composed the usage of tape measures, or as it is greater not unusualplace those days, an digital general station. A grid is normally set up, to divide the web page.

Excavation is moreover beneficial for digging out homes and ditches. When clearing dust out for roads or sub divisions, excavation is what looks after matters. Even alevn though there are some means, the time period excavation is used each time that the earth or dust is disturbed. Heavy equipment is likewise very not unusualplace with excavation, consisting of excavator machines or backhoes. Excavating crews run the system and dig up soil and rocks for regardless of the cause can be. Excavator machines are the maximum normally used equipment, as they could flow some of dust in a touch little bit of time.

Anytime you're collaborating in excavation, you need to continually use clever practices and be safe. If you intend to get down right into a hollow or trench, you need to continually use a trench box. Even alevn though the hollow won't be that deep, excavation web sites can regularly give way and at that point - matters are very risky and probably even deadly. For digging up uncommon artifacts or installing homes or roads, excavation is a few aspect that has been round for years and years. There can be lots to discover with excavation, as you will want to discover the satisfactory manner to run an excavator machine, shoot grade, and simply a way to nicely dig holes and ditches in order that they might not give way.

volvo

volvo dealer near me

front end loader

excavator contracts

pay loader

conexpo

volvo finance

volvo log

volvo financial services

# Excavator Service Repair Manual

volvo fina

care track

caretrack

wheel loader

wheeled loaders

wheel loaders

mining in chile

soil compactor

soil compactors

excavator volvo

volvo excavators

volvo excavator

volvo services

construction equipment volvo

volvo construction equipment

volvoce

excavators volvo

volvo 750 excavator

rock truck

rock trucks

conexpo las vegas 2020

480 volvo

volvo dumper truck

excavator wheeled

wheeled excavator

wheeled excavators

skid steer volvo

volvo skid steer



# Excavator Service Repair Manual

volvo skid steers

volvo skidsteer

construction excavators

articulate trucks

articulated truck

articulated trucks

volvo ec750e cost

volvo equipment

ascendum machinery

volvo loader

volvo loaders

dumper truck volvo

front end loader small

heavy equipment volvo

volvo heavy equipment

heavy equipment dealer near me

heavy equipment dealers near me

mini volvo excavator

volvo mini excavators

wheel loaders volvo

volvo wheel loader

wheel loader volvo

volvo wheel loaders

volvo wheeled loaders

volvo equipment dealership

volvo equipment dealer

volvo equipment dealers

volvo 750

# Excavator Service Repair Manual

swecon

asphalt compactors

asphalt compactor

volvo mini excavator

mini excavator volvo

volvo a40g

750 excavator

volvo a 40g

volvo ec 750e

volvo ec750e

volvo vdn

compactors asphalt

samsung excavators

samsung excavator

scat trak

volvo ecr 88

volvo ecr88

ecr88 volvo

volvo equipment dealer near me

volvo equipment dealers near me

volvo equipment dealership near me

volvo construction

volvo constructions

volvo ce

front end loader volvo

volvo backhoes

a60h volvo

volvo a60h

# Excavator Service Repair Manual

volvo excavator 480

excavator volvo 480

480 volvo excavator

volvo 700 excavator

volvo excavator 700

volvo haul truck

volvo shippensburg pa

volvo shippensburg pennsylvania

volvo front end loader

vantage equipment

volvo ec750e price

mini front end loader

volvo 750 excavator price

pipelayer

55c

45c

scat track

volvo l90

rock truck volvo

volvo rock truck

volvo dealer network

volvo articulated dump truck

articulated dump truck volvo

terex trucks

volvo 140 excavator

backhoe volvo

blaw knox

volvo 480 excavator

# Excavator Service Repair Manual

volvo backhoe

ingersoll rand roller

volvo 750 excavator specs

volvo articulated dump trucks

volvo excavator 140

volvoceanrace

articulating trucks

road pavers

electric excavator

wheel excavators

dump truck volvo

electric excavators

guins

letsdig18

volvo construction equipment parts

champion motor graders

shippensburg volvo

volvo off road truck

volvo oils

volvo construction equipment dealer

volvo off road trucks

savage stone

volvo construction equipment dealers

volvo dozers

volvo l70 h

blaw knox pavers

volvo l70h

volvo 220

# Excavator Service Repair Manual

volvo 750 excavator specifications

volvo dozer

volvo machine

blaw knox paver

volvo a40

volvo machinery

big loaders

construction equipment supplier

scat trak skid steer

volvo ec140el

volvo l90 h

volvo a25g

a40f volvo

volvo a30g

volvo a40d

wheeled mini excavator

volvo a45g

volvo heavy equipment dealers

a30g volvo

champion graders

articulated truck volvo

wheeled mini excavators

champion grader

volvo construction equipment dealer near me

volvo 160

a25g volvo

volvo ecr88 specs

volvo heavy equipment dealer

# Excavator Service Repair Manual

is chris guins married

michigan loader

volvo l90h

volvo l 90h

ec 750 volvo

volvo heavy equipment dealership

volvo 750 excavator weight

volvo articulating truck

articulating truck

construction excavator

volvo dealer locator

volvo coolant

ex factor

excavadoras

construction equipment suppliers

turner mining group

volvo l 70

quarry aggregates

excavator bucket types

volvo l70

volvo roller

volvo 250

volvo 350

volvo equipment parts near me

l90 volvo specs

motor grader volvo

motor graders volvo

nearest volvo dealer

# Excavator Service Repair Manual

ecr 88d volvo

volvo excavator 220

volvo rollers

volvo ecr38

volvo rental equipment

a30d volvo

volvo l90 specs

gold rush excavator

volvo ec750e specs

volvo 290

volvo motor grader

volvo articulated truck

dd 24

vantage wear

roller volvo

volvo 160 excavator

volvo a40g specs

volvo equipment rental

volvo track hoe

volvo a60

volvo pavers

volvo 540

volvo motor graders

volvo 220 excavator

volvo equipment rentals

volvo graders

volvo paver

ecr88d volvo

# Excavator Service Repair Manual

volvo construction equipment usa

volvo l60 h

volvo shippensburg

volvo grader

conexpo las vegas

volvo articulated trucks

graders

mini front end loaders

pacwest machinery

hwy equipment

pipelayers

front end loaders

equipment dealer near me

volvo dump truck

equipment dealerships

romco equipment

equipment dealers near me

doosan mega 300v

doosan mega 300v specs

doosan mega 300-v

doosan mega 300v pdf

doosan dx480lc

doosan dx480lc excavator

экскаватор doosan dx 480 lca

doosan dx480lca

doosan dx480lc for sale



# **Excavator Service Repair Manual**

## **Excavator Service Repair Manual**

**Thank you very much  
for reading.**

**PLEASE CLICK HERE**

**Then back to the site.**

**At the bottom of the**

**page,**

**free add to card.**

**Then get more free**

1. <https://www.heavymachineryequipment.com/downloads/john-deere-jd760a-scraper-workshop-repair-manual/>
2. <https://www.heavymachineryequipment.com/downloads/komatsu-d85c-12-workshop-service-repair-manual-download/>
3. <https://www.heavymachineryequipment.com/downloads/komatsu-pc290lc-6k-pc290nlc-6k-hydraulic-excavator-service-manual/>

# Excavator Service Repair Manual

4. <https://www.heavymachineryequipment.com/downloads/john-deere-jd760-elevating-scraper-service-repair-manual-sm2076/>
5. <https://www.heavymachineryequipment.com/downloads/john-deere-jd760-tractor-service-manual/>
6. <https://www.heavymachineryequipment.com/downloads/john-deere-jd760-tractor-service-repair-manual/>
7. <https://www.heavymachineryequipment.com/john-deere/john-deere-5010-i-tractor-service-repair-manual/>
8. <https://www.heavymachineryequipment.com/forklift/yale-a910-gc040-070vx-glc040-070vx-gc055svx-glc055svx-forklift-service-repair-manual/>
9. <https://www.heavymachineryequipment.com/john-deere/john-deere-50-60-70-series-tractor-service-repair-manual/>
10. <https://www.heavymachineryequipment.com/forklift/nichiyu-fb10p-300p-fb14p-300p-fb15p-300p-forklift-service-repair-manual/>
11. <https://www.heavymachineryequipment.com/downloads/john-deere-2140-tractor-service-manual/>
12. <https://www.heavymachineryequipment.com/downloads/john-deere-5220-5320-5420-5520-tractor-operation-manual/>
13. <https://www.heavymachineryequipment.com/downloads/john-deere-5220-5320-5420-5520-tractor-service-repair-manual/>
14. <https://www.heavymachineryequipment.com/downloads/john-deere-compact-utility-tractor-990-tm-1848-service-manual/>
15. <https://www.heavymachineryequipment.com/downloads/john-deere-5105-5205-tractor-service-repair-manual/>
16. <https://www.heavymachineryequipment.com/downloads/john-deere-4100-compact-utility-tractor-service-repair-manual/>
17. <https://www.heavymachineryequipment.com/downloads/john-deere-gt242-gt262-gt275-lawn-mower-service-repair-manual/>
18. <https://www.heavymachineryequipment.com/downloads/john-deere-2048hv-2254hv-sabre-garden-tractors-operators-manual/>
19. <https://www.heavymachineryequipment.com/downloads/john-deere-sabre-2048hv-2254hv-2554hv-garden-tractors-service-manual/>
20. <https://www.heavymachineryequipment.com/downloads/john-deere-316-318-420-lawn-garden-service-repair-manual/>
21. <https://www.heavymachineryequipment.com/downloads/john-deere-130-160-165-175-180-185-lawn-garden-tractor-service-repair-manual/>
22. <https://www.heavymachineryequipment.com/downloads/john-deere-lt133-lt155-lt166-lawn-garden-tractor-service-manual/>
23. <https://www.heavymachineryequipment.com/downloads/john-deere-5210-5310-5410-5510-tractor-service-repair-manual/>

# Excavator Service Repair Manual

24. <https://www.heavymachineryequipment.com/downloads/john-deere-scotts-s1642-s1742-s2046-s2546-lawn-tractor-repair-manual/>
25. <https://www.heavymachineryequipment.com/downloads/john-deere-7520-tractor-service-repair-manual/>
26. <https://www.heavymachineryequipment.com/downloads/john-deere-8430-8630-tractor-repair-technical-manual/>
27. <https://www.heavymachineryequipment.com/bobcat-parts/bobcat-t250-turbo-operation-maintenance-manual/>
28. <https://www.heavymachineryequipment.com/downloads/john-deere-5200-5300-5400-5500-service-repair-manual/>
29. <https://www.heavymachineryequipment.com/downloads/john-deere-2320-2420-utility-tractor-service-repair-manual/>
30. <https://www.heavymachineryequipment.com/downloads/john-deere-200cs-230cs-300cs-550cs-service-repair-manual/>
31. <https://www.heavymachineryequipment.com/downloads/john-deere-200-sprayer-service-repair-manual/>
32. <https://www.heavymachineryequipment.com/downloads/john-deere-2010-crawler-tractor-repair-service-manual/>
33. <https://www.heavymachineryequipment.com/downloads/john-deere-2000-series-2010-service-manual-for-tractors/>
34. <https://www.heavymachineryequipment.com/downloads/john-deere-200-and-900-cutting-platforms-service-repair-manual/>
35. <https://www.heavymachineryequipment.com/downloads/john-deere-ltr155-ltr166-ltr180-lawn-tractors-technical-manual/>
36. <https://www.heavymachineryequipment.com/downloads/john-deere-200-synchronous-thinner-service-repair-manual/>
37. <https://www.heavymachineryequipment.com/downloads/john-deere-200-208-210-212-214-216-tractors-service-repair-manual/>
38. <https://www.heavymachineryequipment.com/downloads/john-deere-1100-and-1150-outboard-planetary-axles-repair-manual/>
39. <https://www.heavymachineryequipment.com/downloads/john-deere-la130-la140-la150-lawn-tractor-service-repair-manual/>
40. <https://www.heavymachineryequipment.com/downloads/john-deere-300-series-oem-engine-service-repair-manual/>
41. <https://www.heavymachineryequipment.com/downloads/john-deere-4030-tractor-repair-technical-manual/>
42. <https://www.heavymachineryequipment.com/downloads/john-deere-4200-4300-4400-tractor-service-repair-manual/>

# Excavator Service Repair Manual

43. <https://www.heavymachineryequipment.com/downloads/john-deere-450c-crawler-dozer-repair-service-manual/>
44. <https://www.heavymachineryequipment.com/downloads/john-deere-4210-4310-4410-compact-tractor-service-repair-manual/>
45. <https://www.heavymachineryequipment.com/downloads/john-deere-335-375-385-435-and-535-round-balers-service-manual/>
46. <https://www.heavymachineryequipment.com/downloads/john-deere-550-crawler-dozer-service-repair-manual/>
47. <https://www.heavymachineryequipment.com/downloads/john-deere-210c-310c-315c-backhoe-loader-service-repair-manual/>
48. <https://www.heavymachineryequipment.com/downloads/john-deere-310a-and-310b-backhoe-loader-service-repair-manual/>
49. <https://www.heavymachineryequipment.com/downloads/john-deere-amt600-amt622-and-amt626-service-manual/>
50. <https://www.heavymachineryequipment.com/downloads/john-deere-xuv-620i-gator-utility-vehicle-repair-service-manual/>
51. <https://www.heavymachineryequipment.com/downloads/john-deere-4020-row-crop-tractor-repair-technical-manual/>
52. <https://www.heavymachineryequipment.com/downloads/john-deere-240-245-260-265-285-320-lawn-garden-service-repair-manual/>
53. <https://www.heavymachineryequipment.com/downloads/john-deere-rx63-rx73-rx75-sx75-rx95-sx95-riding-mowers-service-repair-manual/>
54. <https://www.heavymachineryequipment.com/downloads/john-deere-670-770-790-870-970-1070-utility-tractor-service-repair-manual/>
55. <https://www.heavymachineryequipment.com/downloads/john-deere-9400-9500-9600-combines-diagnostice-technical-manual/>
56. <https://www.heavymachineryequipment.com/downloads/john-deere-4940-self-propelled-sprayers-diagnostic-service-manual-tm113519/>
57. <https://www.heavymachineryequipment.com/downloads/john-deere-4940-self-propelled-sprayers-diagnostic-service-manual/>
58. <https://www.heavymachineryequipment.com/downloads/john-deere-1166-1169h-1174-1177-1177-service-repair-manual-download/>
59. <https://www.heavymachineryequipment.com/john-deere/john-deere-2054-2056-2058-2064-2066-service-repair-manual/>
60. <https://www.heavymachineryequipment.com/downloads/john-deere-2250-2450-2650-2650n-2850-3050-3350-3650-service-repair-manual/>
61. <https://www.heavymachineryequipment.com/downloads/john-deere-1350-1550-1750-1850-1850n-1950-1950n-service-repair-manual/>

# Excavator Service Repair Manual

62. <https://www.heavymachineryequipment.com/downloads/john-deere-322-330-332-430-lawn-garden-tractor-service-manual/>
63. <https://www.heavymachineryequipment.com/downloads/john-deere-2040-2240-service-repair-manual/>
64. <https://www.heavymachineryequipment.com/downloads/john-deere-sabre-lawn-tractor-service-repair-manual-download/>
65. <https://www.heavymachineryequipment.com/downloads/john-deere-38-inch-46-inch-sabre-lawn-tractor-service-repair-manual/>
66. <https://www.heavymachineryequipment.com/downloads/stihl-e140-e160-e180-service-repair-manual/>
67. <https://www.heavymachineryequipment.com/downloads/john-deere-102-115-125-135-145-155c-190c-lawn-garden-tractor-manual/>
68. <https://www.heavymachineryequipment.com/downloads/john-deere-x495-x595-lawn-garden-tractor-service-repair-manual/>
69. <https://www.heavymachineryequipment.com/downloads/john-deere-x465-x475-x485-x575-x585-tractor-service-repair-manual/>
70. <https://www.heavymachineryequipment.com/downloads/john-deere-lt150-lt160-lt170-lt180-lawn-tractors-service-repair-manual/>
71. <https://www.heavymachineryequipment.com/jhon-deere/john-deere-gx355-lawn-garden-tractor-service-repair-manual/>
72. <https://www.heavymachineryequipment.com/jhon-deere/john-deere-gx255-gx325-gx335-gx345-garden-tractors-service-manual/>
73. <https://www.heavymachineryequipment.com/jhon-deere/john-deere-l1642-l17-542-l2048-l2548-scotts-lawn-tractor-service-repair-manual/>
74. <https://www.heavymachineryequipment.com/downloads/john-deere-14-542gs-1642hs-17-542hs-sabre-lawn-tractor-service-repair-manual/>
75. <https://www.heavymachineryequipment.com/downloads/john-deere-sst15-sst16-sst18-spin-steer-lawn-tractor-service-manual/>
76. <https://www.heavymachineryequipment.com/downloads/john-deere-gt225-gt235-gt235e-gt245-garden-tractor-service-repair-manual/>
77. <https://www.heavymachineryequipment.com/jhon-deere/john-deere-8320rt-8345rt-8370rt-8rt-rw-tractor-service-repair-manual/>
78. <https://www.heavymachineryequipment.com/downloads/new-holland-t6030-t6050-t6070-t6080-t6090-tractor-service-repair-manual/>
79. <https://www.heavymachineryequipment.com/downloads/john-deere-350b-crawler-tractors-loaders-service-manual/>
80. <https://www.heavymachineryequipment.com/downloads/john-deere-lx277aws-lx279-lx288-lawn-tractors-service-manual/>

# Excavator Service Repair Manual

81. <https://www.heavymachineryequipment.com/downloads/john-deere-lx255-lx266-lx277-lawn-tractors-service-manual/>
82. <https://www.heavymachineryequipment.com/downloads/john-deere-sabre-2048hv-2254hv-2554hv-parts-diagram-service-repair-manual/>
83. <https://www.heavymachineryequipment.com/downloads/john-deere-lt133-lt155-lt166-lawn-tractors-service-repair-manual/>
84. <https://www.heavymachineryequipment.com/downloads/john-deere-322-330-332-430-lawn-garden-tractors-service-repair-manual/>
85. <https://www.heavymachineryequipment.com/downloads/john-deere-316-318-420-lawn-garden-tractors-service-repair-manual/>
86. <https://www.heavymachineryequipment.com/downloads/how-to-take-care-of-your-excavator/>
87. <https://www.heavymachineryequipment.com/downloads/john-deere-gt242-gt262-gt275-service-repair-manual/>
88. <https://www.heavymachineryequipment.com/downloads/john-deere-325-345-lawn-garden-service-repair-manual/>
89. <https://www.heavymachineryequipment.com/downloads/new-holland-t8010-t8020-master-tractor-service-repair-manual/>
90. <https://www.heavymachineryequipment.com/downloads/new-holland-l180-l185-l190-c185-c190-skid-steer-loader-service-repair-manual/>
91. <https://www.heavymachineryequipment.com/downloads/new-holland-tractors-t6010-t6020-t6030-t6040-t6050-t6060-t6070-service-manual/>
92. <https://www.heavymachineryequipment.com/downloads/new-holland-t7-220-t7-235-t7-250-t7-260-t7-270-service-repair-manual/>
93. <https://www.heavymachineryequipment.com/downloads/new-holland-td60d-td70d-td80d-td90d-td95d-tractor-operators-manual/>
94. <https://www.heavymachineryequipment.com/downloads/ford-new-holland-60-series-8160-8260-tractors-service-manual/>
95. <https://www.heavymachineryequipment.com/downloads/ford-new-holland-60-series-8360-8560-tractors-service-manual/>
96. <https://www.heavymachineryequipment.com/downloads/volvo-mc110c-mc115c-mc125c-mc135c-mc155c-mct110c-parts-manual/>
97. <https://www.heavymachineryequipment.com/downloads/volvo-mc60b-skid-steer-loader-service-catalogue-manual/>
98. <https://www.heavymachineryequipment.com/downloads/volvo-mc110b-skid-steer-loader-service-parts-manual/>
99. <https://www.heavymachineryequipment.com/downloads/volvo-ec35-compact-excavator-service-parts-manual/>

# Excavator Service Repair Manual

100. <https://www.heavymachineryequipment.com/downloads/volvo-l90h-wheel-loaders-workshop-service-manual/>
101. <https://www.heavymachineryequipment.com/downloads/volvo-l70h-wheel-loaders-workshop-service-manual/>
102. <https://www.heavymachineryequipment.com/downloads/volvo-l60h-wheel-loaders-workshop-service-manual/>
103. <https://www.heavymachineryequipment.com/downloads/volvo-mc80b-skid-steer-loader-workshop-service-manual/>
104. <https://www.heavymachineryequipment.com/downloads/volvo-mc70b-skid-loader-steer-workshop-service-manual/>
105. <https://www.heavymachineryequipment.com/downloads/volvo-bl61b-backhoe-loader-service-catalogue-manual/>
106. <https://www.heavymachineryequipment.com/downloads/volvo-bl70-backhoe-loader-engine-service-parts-manual/>
107. <https://www.heavymachineryequipment.com/downloads/volvo-bm-646-wheel-loader-service-pdf-manual/>
108. <https://www.heavymachineryequipment.com/downloads/volvo-ec290bnlc-excavator-workshop-service-manual/>
109. <https://www.heavymachineryequipment.com/downloads/volvo-ew140b-wheeled-excavator-service-manual/>
110. <https://www.heavymachineryequipment.com/downloads/volvo-bl70b-backhoe-loader-workshop-service-repair-manual/>
111. <https://www.heavymachineryequipment.com/downloads/volvo-bl60-backhoe-loader-service-repair-manual/>
112. <https://www.heavymachineryequipment.com/downloads/volvo-a35-articulated-hauler-workshop-service-pdf-manual/>
113. <https://www.heavymachineryequipment.com/downloads/volvo-bl61b-backhoe-loader-service-parts-pdf-manual/>
114. <https://www.heavymachineryequipment.com/downloads/john-deere-stx30-stx38-stx46-lawn-tractors-service-repair-manual/>
115. <https://www.heavymachineryequipment.com/downloads/john-deere-lx178-lx186-lx188-lawn-garden-tractors-service-repair-manual/>
116. <https://www.heavymachineryequipment.com/downloads/john-deere-lx172-lx173-lx176-lawn-tractors-service-repair-manual/>
117. <https://www.heavymachineryequipment.com/downloads/volvo-l110e-wheel-loader-service-parts-catalogue-manual/>
118. <https://www.heavymachineryequipment.com/downloads/john-deere-8875-skid-steer-loader-service-repair-manual/>



# Excavator Service Repair Manual

119. <https://www.heavymachineryequipment.com/downloads/doosan-daewoo-solar-55-v-service-repair-manual/>
120. <https://www.heavymachineryequipment.com/downloads/doosan-daewoo-220lc-v-excavator-service-repair-manual/>
121. <https://www.heavymachineryequipment.com/downloads/doosan-daewoo-solar-140w-v-160w-v-excavator-service-manual/>
122. <https://www.heavymachineryequipment.com/downloads/doosan-daewoo-solar-225lc-v-excavator-service-repair-manual/>
123. <https://www.heavymachineryequipment.com/downloads/doosan-da30-5-articulated-dump-truck-service-repair-manual/>
124. <https://www.heavymachineryequipment.com/blog/>
125. <https://www.heavymachineryequipment.com/downloads/volvo-ew200b-wheeled-excavator-service-repair-manual/>
126. <https://www.heavymachineryequipment.com/downloads/john-deere-9650sts-9750sts-diagnosis-service-repair-manual/>
127. <https://www.heavymachineryequipment.com/downloads/john-deere-gx75-and-gx95-riding-mowers-service-technical-manual/>
128. <https://www.heavymachineryequipment.com/downloads/john-deere-z225-z425-z445-eztrak-operator-manual/>
129. <https://www.heavymachineryequipment.com/downloads/john-deere-z225-z425-z445-eztrak-service-repair-manual/>
130. <https://www.heavymachineryequipment.com/downloads/john-deere-32-36-48-52-inch-walk-behind-mowers-technical-manual/>
131. <https://www.heavymachineryequipment.com/downloads/john-deere-trs27-and-trs32-walk-behind-snowblowers-operators-manual/>
132. <https://www.heavymachineryequipment.com/>
133. <https://www.heavymachineryequipment.com/downloads/hyundai-r16-9-mini-excavator-service-manual/>
134. <https://www.heavymachineryequipment.com/downloads/hyundai-r16-7-mini-excavator-service-manual/>
135. <https://www.heavymachineryequipment.com/downloads/hyundai-hl780-7a-service-repair-manual/>
136. <https://www.heavymachineryequipment.com/downloads/hyundai-r110-7-crawler-excavator-repair-manual/>
137. <https://www.heavymachineryequipment.com/downloads/hyundai-hl770-7-wheel-workshop-service-manual/>
138. <https://www.heavymachineryequipment.com/downloads/hyundai-wheel-loader-hl770-service-manual/>

# Excavator Service Repair Manual

139. <https://www.heavymachineryequipment.com/downloads/hyundai-hsl600t-hsl680t-skid-steer-service-repair-manual/>
140. <https://www.heavymachineryequipment.com/downloads/hyundai-brp-series-forklift-truck-service-manual/>
141. <https://www.heavymachineryequipment.com/downloads/hyundai-hl740-tm-7-loader-service-repair-manual/>
142. <https://www.heavymachineryequipment.com/downloads/komatsu-pc150-6k-pc150lc-6k-service-and-operator-manual/>
143. <https://www.heavymachineryequipment.com/downloads/komatsu-pc150-5-crawler-excavator-parts-manual-sn-6001-and-up/>
144. <https://www.heavymachineryequipment.com/downloads/hyundai-l4gc-engine-workshop-service-manual/>
145. <https://www.heavymachineryequipment.com/downloads/hyundai-hl760-wheel-loader-repair-manual/>
146. <https://www.heavymachineryequipment.com/downloads/hyundai-hlf15c-3-hlf18c-3-forklift-service-repair-manual/>
147. <https://www.heavymachineryequipment.com/downloads/hyundai-r360lc-3-crawler-excavator-service-repair-manual/>
148. <https://www.heavymachineryequipment.com/downloads/hyundai-hl750-3-wheel-loader-service-repair-manual/>
149. <https://www.heavymachineryequipment.com/downloads/hyundai-r80-7-crawler-excavator-service-repair-manual/>
150. <https://www.heavymachineryequipment.com/downloads/hyundai-hsl650-7a-skid-steer-loader-service-repair-manual/>
151. <https://www.heavymachineryequipment.com/downloads/hyundai-brj-series-forklift-truck-service-repair-manual/>
152. <https://www.heavymachineryequipment.com/downloads/hyundai-r210lc-7-crawler-excavator-service-repair-manual/>
153. <https://www.heavymachineryequipment.com/downloads/hyundai-r290lc-7a-crawler-excavator-service-repair-manual/>
154. <https://www.heavymachineryequipment.com/downloads/hyundai-r180lc-7a-crawler-excavator-service-repair-manual/>
155. <https://www.heavymachineryequipment.com/downloads/hyundai-25lc-30lc-33l-7m-forklift-truck-service-repair-manual/>
156. <https://www.heavymachineryequipment.com/downloads/hyundai-r250lc-3-crawler-repair-excavator-service-manual/>
157. <https://www.heavymachineryequipment.com/downloads/hyundai-r250lc-3-crawler-excavator-service-repair-manual/>

# Excavator Service Repair Manual

158. <https://www.heavymachineryequipment.com/downloads/hyundai-crawler-excavator-r160lc-7-operating-manual/>
159. <https://www.heavymachineryequipment.com/downloads/hyundai-crawler-excavator-r160lc-7-service-repair-manual/>
160. <https://www.heavymachineryequipment.com/downloads/hyundai-22bha-7-25bha-7-30bha-7-forklift-truck-service-repair-manual/>
161. <https://www.heavymachineryequipment.com/downloads/hyundai-hsl800t-skid-steer-loader-service-repair-manual/>
162. <https://www.heavymachineryequipment.com/downloads/hyundai-r180lc-3-crawler-excavator-service-repair-manual/>
163. <https://www.heavymachineryequipment.com/downloads/hyundai-20-7-25-7-30-7-32bc-7-forklift-truck-service-repair-manual/>
164. <https://www.heavymachineryequipment.com/downloads/hyundai-r35z-7a-mini-excavator-service-repair-manual/>
165. <https://www.heavymachineryequipment.com/downloads/hyundai-hdf35-3-hdf45-3-forklift-truck-service-repair-manual/>
166. <https://www.heavymachineryequipment.com/downloads/hyundai-sl765s-wheel-loader-operators-manual/>
167. <https://www.heavymachineryequipment.com/downloads/hyundai-hsl1500t-skid-steer-loader-operators-manual/>
168. <https://www.heavymachineryequipment.com/downloads/hyundai-sl765s-wheel-loader-service-repair-manual/>
169. <https://www.heavymachineryequipment.com/downloads/hyundai-hsl1200t-skid-steer-loader-operators-manual/>
170. <https://www.heavymachineryequipment.com/downloads/hyundai-hsl600t-hsl680t-skid-steer-loader-operator-manual/>
171. <https://www.heavymachineryequipment.com/downloads/hyundai-skid-steer-loader-hsl800t-thomas-owners-manual/>
172. <https://www.heavymachineryequipment.com/downloads/hyundai-skid-steer-loader-hsl800t-thomas-service-and-operator-manual/>
173. <https://www.heavymachineryequipment.com/downloads/hyundai-hsl400t-skid-steer-loader-operators-manual/>
174. <https://www.heavymachineryequipment.com/downloads/hyundai-sl763s-wheel-loader-operators-manual/>
175. <https://www.heavymachineryequipment.com/downloads/hyundai-hl975-hl975xt-wheel-loader-operator-manual/>
176. <https://www.heavymachineryequipment.com/downloads/hyundai-hsl500t-skid-steer-loader-service-repair-manual/>

# Excavator Service Repair Manual

177. <https://www.heavymachineryequipment.com/downloads/hyundai-hdf20-5-hdf25-5-hdf30-5-forklift-workshop-service-repair-manual/>
178. <https://www.heavymachineryequipment.com/downloads/hyundai-hlf15-5-hlf15c-5-hlf18-5-hlf18c-5-forklift-service-repair-manual/>
179. <https://www.heavymachineryequipment.com/downloads/hyundai-hlf20-5-hlf25-5-hlf30-5-hlf20c-5-hlf25c-5-hlf30c-5-forklift-truck-workshop-service-manual/>
180. <https://www.heavymachineryequipment.com/downloads/hyundai-hl750tm-3-wheel-loader-workshop-service-repair-manual/>
181. <https://www.heavymachineryequipment.com/downloads/hyundai-hsl810-skid-steer-loader-service-repair-manual/>
182. <https://www.heavymachineryequipment.com/downloads/hyundai-20lc-25lc-30lc-7-20gc-25gc-30gc-7-forklift-truck-workshop-repair-manual/>
183. <https://www.heavymachineryequipment.com/downloads/hyundai-hsl650-7-skid-steer-loader-workshop-service-manual/>
184. <https://www.heavymachineryequipment.com/downloads/hyundai-hsl850-7-skid-steer-loader-workshop-service-manual/>
185. <https://www.heavymachineryequipment.com/downloads/hyundai-20df-7t-25df-7t-30df-7t-33df-7t-forklift-truck-service-workshop-manual/>
186. <https://www.heavymachineryequipment.com/downloads/hyundai-hl760-1001-1301-wheel-loader-repair-service-manual/>
187. <https://www.heavymachineryequipment.com/downloads/hyundai-bop-7-series-forklift-truck-repair-service-manual/>
188. <https://www.heavymachineryequipment.com/downloads/case-1080-1080b-excavator-service-repair-manual/>
189. <https://www.heavymachineryequipment.com/downloads/bobcat-t250-turbo-track-loader-service-manual-525711001/>
190. <https://www.heavymachineryequipment.com/downloads/bobcat-t250-turbo-compact-track-loader-service-repair-manual/>
191. <https://www.heavymachineryequipment.com/downloads/bobcat-t250-turbo-compact-track-loader-parts-catalog-manual/>
192. <https://www.heavymachineryequipment.com/new-holland/ford-new-holland-60-series-8360-8560-tractors-service-manual/>
193. <https://www.heavymachineryequipment.com/new-holland-service/ford-new-holland-60-series-8160-8260-tractors-service-manual/>
194. <https://www.heavymachineryequipment.com/downloads/deutz-fahr-hydraulic-inversor-110-130-hp-service-repair-manual/>
195. <https://www.heavymachineryequipment.com/downloads/deutz-fahr-agrotron-k90-k100-k110-k120-tractor-workshop-service-manual/>

# Excavator Service Repair Manual

196. <https://www.heavymachineryequipment.com/downloads/deutz-fahr-210-265-front-axle-agrotron-tractor-service-manual/>
197. <https://www.heavymachineryequipment.com/downloads/deutz-fahr-150-157-7-165-7-front-axle-agrotron-tractor-service-manual/>
198. <https://www.heavymachineryequipment.com/downloads/deutz-fahr-26-6-30-7-front-rear-axle-agrovector-tractor-service-manual/>
199. <https://www.heavymachineryequipment.com/jhon-deere/john-deere-5050e-5055e-5065e-5075e-tractor-service-manual/>
200. <https://www.heavymachineryequipment.com/komatsu/komatsu-pc300lc-6-pc300hd-6-excavator-operation-manual/>
201. <https://www.heavymachineryequipment.com/komatsu/komatsu-pc300lc-6-crawler-hydraulic-service-repair-manual/>
202. <https://www.heavymachineryequipment.com/jhon-deere/john-deere-6081-base-8-1l-diesel-engine-service-repair-manual/>
203. <https://www.heavymachineryequipment.com/jhon-deere/john-deere-gator-hpx-4x2-4x4-utility-workshop-service-manual/>
204. <https://www.heavymachineryequipment.com/jhon-deere/john-deere-x465-x475-x485-x575-x585-service-manual/>
205. <https://www.heavymachineryequipment.com/jhon-deere/john-deere-x700-x720-x724-x728-service-repair-manual/>
206. <https://www.heavymachineryequipment.com/jhon-deere/john-deere-6030-tractor-technical-service-manual/>
207. <https://www.heavymachineryequipment.com/downloads/john-deere-655-755-756-855-856-955-tractor-workshop-repair-manual/>
208. <https://www.heavymachineryequipment.com/downloads/john-deere-f510-f525-service-repair-manual/>
209. <https://www.heavymachineryequipment.com/downloads/john-deere-6020-6120-6220-service-repair-manual/>
210. <https://www.heavymachineryequipment.com/downloads/john-deere-l100-l108-l110-service-repair-manual/>
211. <https://www.heavymachineryequipment.com/downloads/john-deere-425-445-455-lawn-garden-service-repair-manual/>
212. <https://www.heavymachineryequipment.com/downloads/john-deere-x324-x340-x360-service-repair-manual/>
213. <https://www.heavymachineryequipment.com/downloads/john-deere-x300-x304-x320-service-repair-manual/>
214. <https://www.heavymachineryequipment.com/downloads/john-deere-3215-3215a-3215b-fairway-mower-service-manual/>

# Excavator Service Repair Manual

215. <https://www.heavymachineryequipment.com/downloads/komatsu-pc160lc-7-crawler-tier3-excavator-service-repair-manual/>
216. <https://www.heavymachineryequipment.com/downloads/komatsu-pc150-5-crawler-excavator-service-repair-manual/>
217. <https://www.heavymachineryequipment.com/downloads/komatsu-pc200z-6-hydraulic-excavator-service-manual/>
218. <https://www.heavymachineryequipment.com/downloads/komatsu-pc290lc-6k-operator-service-manual/>
219. <https://www.heavymachineryequipment.com/downloads/komatsu-pc290lc-6k-hydraulic-excavator-service-manual/>
220. <https://www.heavymachineryequipment.com/downloads/komatsu-pw130es-6k-wheeled-excavator-service-repair-manual/>
221. <https://www.heavymachineryequipment.com/downloads/komatsu-pw160-7h-wheeled-excavator-service-repair-manual/>
222. <https://www.heavymachineryequipment.com/downloads/bobcat-t180-track-loader-workshop-manual/>
223. <https://www.heavymachineryequipment.com/downloads/bobcat-t180-turbo-track-loader-parts-manual/>
224. <https://www.heavymachineryequipment.com/downloads/bobcat-t770-2011-service-repair-manual-sn-a3p911001/>
225. <https://www.heavymachineryequipment.com/downloads/bobcat-t770-2011-service-repair-manual/>
226. <https://www.heavymachineryequipment.com/downloads/john-deere-6610-6810-6910-service-repair-manual/>
227. <https://www.heavymachineryequipment.com/downloads/bomag-bw-100-adbw-100-acbw-120-adbw-120-ac-drum-roller-workshop-manual/>
228. <https://www.heavymachineryequipment.com/downloads/hyundai-hl760-7-wheel-loader-service-manual/>
229. <https://www.heavymachineryequipment.com/downloads/john-deere-710b-backhoe-loader-service-repair-manual/>
230. <https://www.heavymachineryequipment.com/downloads/hyundai-r480lc-9mh-crawler-excavator-service-repair-manual/>
231. <https://www.heavymachineryequipment.com/downloads/john-deere-d100-d110-d120-d130-d140-d150-d160-d170-manual/>
232. <https://www.heavymachineryequipment.com/downloads/volvo-bm-l90c-wheel-loader-service-parts-manual/>
233. <https://www.heavymachineryequipment.com/downloads/volvo-bm-l90c-wheel-loader-service-repair-manual/>

# Excavator Service Repair Manual

234. <https://www.heavymachineryequipment.com/downloads/volvo-bm-l90-parts-equipment-manual/>
235. <https://www.heavymachineryequipment.com/downloads/volvo-bm-l90b-machinery-service-manual/>
236. <https://www.heavymachineryequipment.com/downloads/volvo-bm-l90-wheel-loader-repair-manual/>
237. <https://www.heavymachineryequipment.com/downloads/volvo-l50d-wheel-loader-service-manual/>
238. <https://www.heavymachineryequipment.com/downloads/volvo-l70d-wheel-loader-repair-manual/>
239. <https://www.heavymachineryequipment.com/downloads/volvo-g720b-motor-grader-workshop-repair-manual/>
240. <https://www.heavymachineryequipment.com/downloads/new-holland-lm1340-lm1440-lm1740-telehandler-service-manual/>
241. <https://www.heavymachineryequipment.com/downloads/volvo-bl70-backhoe-loaders-service-manual/>
242. <https://www.heavymachineryequipment.com/downloads/doosan-daewoo-130lc-excavator-v-electrical-manual/>
243. <https://www.heavymachineryequipment.com/downloads/doosan-daewoo-solar-130lc-v-service-manual/>
244. <https://www.heavymachineryequipment.com/downloads/john-deere-2020-2120-tractor-service-manual/>
245. <https://www.heavymachineryequipment.com/volvo-equipment/backhoe-loader-repair-manuals/volvo-bl61b-backhoe-loader-service-parts-pdf-manual/>
246. <https://www.heavymachineryequipment.com/volvo-equipment/articulated-hauler-service-manuals/volvo-a35-articulated-hauler-workshop-service-pdf-manual/>
247. <https://www.heavymachineryequipment.com/volvo-equipment/backhoe-loader-repair-manuals/volvo-bl60-backhoe-loader-service-repair-manual/>
248. <https://www.heavymachineryequipment.com/hitachi-machinery/hitachi-zaxis-330-3-350-3-class-hydraulic-excavator-service-manual/>
249. <https://www.heavymachineryequipment.com/hitachi-machinery/hitachi-zaxis-330-3-330lc-3-350h-3-350lch-3-workshop-service-manual/>
250. <https://www.heavymachineryequipment.com/hitachi-machinery/hitachi-zaxis-zx-110-3-110m-3-130k-3-excavator-service-manual/>
251. <https://www.heavymachineryequipment.com/hitachi-machinery/hitachi-zaxis-zx-130l-3-135us-3-135usk-3-135usl-3-excavators-service-manual/>
252. <https://www.heavymachineryequipment.com/hitachi-machinery/hitachi-zaxis-zx-60usb-3-60usb-3f-excavator-service-repair-manual/>
253. <https://www.heavymachineryequipment.com/hitachi-machinery/hitachi-zaxis-zx-35u-3-50u-3-60usb-3-hydraulic-service-repair-manual/>

# Excavator Service Repair Manual

254. <https://www.heavymachineryequipment.com/hitachi-machinery/hitachi-zaxis-zx-27u-3-30u-3-35u-3-excavator-service-manual/>
255. <https://www.heavymachineryequipment.com/hitachi-machinery/excavator-service-manuals/hitachi-zaxis-450-3-450lc-3-470h-3-excavator-repair-manual/>
256. <https://www.heavymachineryequipment.com/volvo-equipment/backhoe-loader-repair-manuals/volvo-bl70b-backhoe-loader-workshop-service-manual/>
257. <https://www.heavymachineryequipment.com/hitachi-machinery/excavator-service-manuals/hitachi-zaxis-200-3-hydraulic-excavator-service-repair-manual/>
258. <https://www.heavymachineryequipment.com/hitachi-machinery/hitachi-zaxis-zx50u-2-excavator-parts-catalog-pdf-manual/>
259. <https://www.heavymachineryequipment.com/hitachi-machinery/hitachi-zaxis-60usb-3-hydraulic-excavator-factory-manuals/>
260. <https://www.heavymachineryequipment.com/hitachi-machinery/hitachi-zaxis-450-450lc-450h-450lch-excavator-operator-manual-pdf/>
261. <https://www.heavymachineryequipment.com/hitachi-machinery/hitachi-zaxis-230-230lc-240h-240lch-270-270lc-excavator-operator-ebook/>
262. <https://www.heavymachineryequipment.com/hitachi-machinery/hitachi-zaxis-60usb-3-hydraulic-excavator-operator-manual/>
263. <https://www.heavymachineryequipment.com/hitachi-machinery/hitachi-zaxis-450-3-470h-3-450lc-3-470lch-3-500lc-3-520lch-3-excavator-operator-ebook/>
264. <https://www.heavymachineryequipment.com/hitachi-machinery/hitachi-zaxis-30-35-40-45-excavator-workshop-service-manual/>
265. <https://www.heavymachineryequipment.com/hitachi-machinery/hitachi-zaxis-zx120-180-200-225-270-330-operators-ebook/>
266. <https://www.heavymachineryequipment.com/hitachi-machinery/hitachi-zaxis-zx-17u-2-excavator-service-repair-pdf-manual/>
267. <https://www.heavymachineryequipment.com/hitachi-machinery/hitachi-zaxis-120-180-200-225-270-330-excavator-operator-manual/>
268. <https://www.heavymachineryequipment.com/hitachi-machinery/hitachi-zaxis-180w-210-w-wheeled-excavator-operator-manual/>
269. <https://www.heavymachineryequipment.com/hitachi-machinery/excavator-service-manuals/hitachi-zaxis-130-5n-160lc-5n-180lc-5n-excavator-operator-manual/>
270. <https://www.heavymachineryequipment.com/hitachi-machinery/hitachi-zaxis-135us-5n-245-uslc-5n-hydraulic-excavator-operator-manual/>
271. <https://www.heavymachineryequipment.com/hitachi-machinery/hitachi-zaxis-zx-130w-wheeled-excavator-service-pdf-manual/>
272. <https://www.heavymachineryequipment.com/hitachi-machinery/hitachi-zaxis-190w-3-220w-3-wheeled-excavator-operator-manual/>



# Excavator Service Repair Manual

273. <https://www.heavymachineryequipment.com/hitachi-machinery/hitachi-zaxis-250h-3-hydraulic-workshop-excavator-service-manual/>
274. <https://www.heavymachineryequipment.com/volvo-equipment/backhoe-loader-repair-manuals/volvo-bl61-plus-backhoe-loader-service-repair-manual/>
275. <https://www.heavymachineryequipment.com/hitachi-machinery/hitachi-zaxis-27u-3-27u-3f-30u-3-hydraulic-excavator-operator-manual/>
276. <https://www.heavymachineryequipment.com/hitachi-machinery/hitachi-zaxis-zx-870lc-5g/>
277. <https://www.heavymachineryequipment.com/volvo-equipment/backhoe-loader-repair-manuals/volvo-bl70-backhoe-loader-workshop-service-repair-manual/>
278. <https://www.heavymachineryequipment.com/volvo-equipment/backhoe-loader-repair-manuals/volvo-bl71-plus-backhoe-loader-workshop-service-repair-manual/>
279. <https://www.heavymachineryequipment.com/hitachi-machinery/excavator-service-manuals/hitachi-zaxis-450-450h-450lc-450lch-460lch-excavator-workshop-manual/>
280. <https://www.heavymachineryequipment.com/hitachi-machinery/excavator-service-manuals/hitachi-zaxis-zx27u-2-excavator-parts-catalog-pdf-manual/>
281. <https://www.heavymachineryequipment.com/hitachi-machinery/hitachi-zaxis-zx75us-5a-75usb-5a-operators-manual/>
282. <https://www.heavymachineryequipment.com/hitachi-machinery/hitachi-zaxis-zx160lc-3-excavator-parts-catalog-pdf-manual/>
283. <https://www.heavymachineryequipment.com/hitachi-machinery/hitachi-zaxis-zx-470lc-5g-excavator-workshop-service-manual/>
284. <https://www.heavymachineryequipment.com/hitachi-machinery/hitachi-zaxis-zx-160lc-3-180lc-3-180lcn-3-excavator-service-manual/>
285. <https://www.heavymachineryequipment.com/hitachi-machinery/hitachi-zaxis-zx-135us-3-135usk-3-135usl-3-excavator-factory-service-manual/>
286. <https://www.heavymachineryequipment.com/hitachi-machinery/hitachi-zaxis-zx-170w-3-190w-3-excavator-workshop-service-manual/>
287. <https://www.heavymachineryequipment.com/hitachi-machinery/hitachi-zx-330-350-370-zaxis-workshop-service-manual/>
288. <https://www.heavymachineryequipment.com/hitachi-machinery/hitachi-zaxis-330-330lc-350h-350lch-350lc-350lcn-370mth-excavator-service-manual/>
289. <https://www.heavymachineryequipment.com/hitachi-machinery/hitachi-zaxis-zx330-3-zx330lc-3-zx350lc-3-zx350lcn-3-parts-catalog-manual/>
290. <https://www.heavymachineryequipment.com/hitachi-machinery/excavator-service-manuals/hitachi-zaxis-zx-110-110m-120-130-130lcn-125us-135us-135ur-service-manual/>
291. <https://www.heavymachineryequipment.com/hitachi-machinery/hitachi-zaxis-240n-3-hydraulic-excavator-service-manual/>

# Excavator Service Repair Manual

292. <https://www.heavymachineryequipment.com/hitachi-machinery/hitachi-zaxis-270-3-hydraulic-excavator-service-manual/>
293. <https://www.heavymachineryequipment.com/hitachi-machinery/case-1150k-series-3-dozer-bulldozer-service-manual/>
294. <https://www.heavymachineryequipment.com/volvo-equipment/wheel-loader-service-manual/volvo-ew140b-wheeled-excavator-service-manual/>
295. <https://www.heavymachineryequipment.com/volvo-equipment/volvo-ec290bnlc-excavator-workshop-service-manual/>
296. <https://www.heavymachineryequipment.com/hitachi-machinery/hyundai-h930c-h940c-backhoe-loader-repair-pdf-manual/>
297. <https://www.heavymachineryequipment.com/volvo-equipment/wheel-loader-service-manual/volvo-bm-646-wheel-loader-service-pdf-manual/>
298. <https://www.heavymachineryequipment.com/hitachi-machinery/hitachi-zaxis-zx25-excavator-parts-catalog-pdf-manual/>
299. <https://www.heavymachineryequipment.com/hitachi-machinery/excavator-service-manuals/hitachi-zaxis-zx135us-zx135us-e-zx135usk-excavator-parts-manual/>
300. <https://www.heavymachineryequipment.com/hitachi-machinery/excavator-service-manuals/hitachi-zaxis-zx-85usblc-3-excavator-service-manual/>
301. <https://www.heavymachineryequipment.com/case-products/excavator-case-cx-330-cx350-tier-3-service-repair-manual/>
302. <https://www.heavymachineryequipment.com/case-products/case-580e-super-580-e-repair-manual/>
303. <https://www.heavymachineryequipment.com/hitachi-machinery/hitachi-ex27u-ex29ue-mini-excavator-parts-manual/>
304. <https://www.heavymachineryequipment.com/volvo-equipment/backhoe-loader-repair-manuals/volvo-bl70-backhoe-loader-service-parts-catalogue-manual/>
305. <https://www.heavymachineryequipment.com/terex-machinery/dump-trucks-repair-manuals/terex-ta30-articulated-dump-truck-maintenance-manual/>
306. <https://www.heavymachineryequipment.com/case-products/case-ih-puma-115-125-140-155-tractor-service-repair-manual/>
307. <https://www.heavymachineryequipment.com/case-products/case-cx330-cx350-tier-3-cat-excavator-workshop-manual/>
308. <https://www.heavymachineryequipment.com/volvo-equipment/backhoe-loader-repair-manuals/volvo-bl60-backhoe-loader-service-parts-list-manual/>
309. <https://www.heavymachineryequipment.com/volvo-equipment/backhoe-loader-repair-manuals/volvo-bl61b-backhoe-loader-service-catalogue-manual/>
310. <https://www.heavymachineryequipment.com/volvo-equipment/backhoe-loader-repair-manuals/volvo-bl71-plus-backhoe-loader-service-parts-manual/>

# Excavator Service Repair Manual

311. <https://www.heavymachineryequipment.com/volvo-equipment/skid-steer-loader/volvo-mc60b-skid-steer-loader-workshop-service-manual/>
312. <https://www.heavymachineryequipment.com/volvo-equipment/skid-steer-loader/volvo-mc70b-skid-loader-steer-workshop-service-manual/>
313. <https://www.heavymachineryequipment.com/volvo-equipment/skid-steer-loader/volvo-mc80-mc90-mc110-skid-steer-loader-service-manual/>
314. <https://www.heavymachineryequipment.com/volvo-equipment/skid-steer-loader/volvo-mc80b-skid-steer-loader-workshop-service-manual/>
315. <https://www.heavymachineryequipment.com/volvo-equipment/skid-steer-loader/volvo-mc110c-mc115c-mc125c-mc135c-mc155c-mct110c-parts-manual/>
316. <https://www.heavymachineryequipment.com/volvo-equipment/skid-steer-loader/volvo-mc60-mc70-skid-steer-loader-workshop-service-manual/>
317. <https://www.heavymachineryequipment.com/volvo-equipment/skid-steer-loader/volvo-mc60b-skid-steer-loader-service-catalogue-manual/>
318. <https://www.heavymachineryequipment.com/volvo-equipment/skid-steer-loader/volvo-mc110b-skid-steer-loader-service-parts-manual/>
319. <https://www.heavymachineryequipment.com/volvo-equipment/volvo-ec35-compact-excavator-service-parts-pdf-manual/>
320. <https://www.heavymachineryequipment.com/case-products/case-680e-ck-backhoe-loader-parts-manual/>
321. <https://www.heavymachineryequipment.com/case-products/tractor-equipment/case-ih-international-5120-5130-5140-tractor-service-manual/>
322. <https://www.heavymachineryequipment.com/case-products/case-ih-steiger-370-420-470-500-540-580-620-service-manual/>
323. <https://www.heavymachineryequipment.com/case-products/tractor-equipment/case-ih-rowtrac-370-420-470-500-steiger-operators-manual/>
324. <https://www.heavymachineryequipment.com/catequipment/cub-cadet-series-1000-lt1018-lt1022-hydrostatic-lawn-tractor-service-manual/>
325. <https://www.heavymachineryequipment.com/new-holland-service/new-holland-td60d-td70d-td80d-td90d-td95d-tractor-operators-manual/>
326. <https://www.heavymachineryequipment.com/case-products/tractor-equipment/case-784-ih-tractor-workshop-service-manual-best/>
327. <https://www.heavymachineryequipment.com/hitachi-machinery/excavator-service-manuals/hitachi-zaxis-230-230lc-240h-240lch-270-270lc-excavator-service-manual/>
328. <https://www.heavymachineryequipment.com/case-products/tractor-equipment/case-570-nxt-tier-4-pdf-tractor-loader-operator/>
329. <https://www.heavymachineryequipment.com/new-holland/new-holland-t7-220-t7-235-t7-250-t7-260-t7-270-service-repair-manual/>

# Excavator Service Repair Manual

330. <https://www.heavymachineryequipment.com/bobcat-parts/bobcat-751-skid-steer-loader-service-repair-manual/>
331. <https://www.heavymachineryequipment.com/bobcat-parts/bobcat-324-compact-excavator-solution-service-guidebook/>
332. <https://www.heavymachineryequipment.com/new-holland-service/new-holland-tractors-t6010-t6020-t6030-t6040-t6050-t6060-t6070-service-manual/>
333. <https://www.heavymachineryequipment.com/new-holland-service/new-holland-l180-l185-l190-c185-c190-skid-steer-loader-service-repair-manual/>
334. <https://www.heavymachineryequipment.com/hitachi-machinery/hitachi-ex12-ex15-ex22-ex25-ex30-ex35-ex40-ex45-excavator-service-repair-manual/>
335. <https://www.heavymachineryequipment.com/new-holland-service/new-holland-t8010-t8020-master-tractor-service-repair-manual/>
336. <https://www.heavymachineryequipment.com/new-holland-service/new-holland-l225-service-repair-manual/>
337. <https://www.heavymachineryequipment.com/new-holland-service/new-holland-kobelco-e215b-e245b-crawler-excavator-service-repair-manual/>
338. <https://www.heavymachineryequipment.com/bobcat-parts/bobcat-x-337-341-excavator-service-repair-manual/>
339. <https://www.heavymachineryequipment.com/case-products/case-350b-350b-ii-loader-operators-manual/>
340. <https://www.heavymachineryequipment.com/new-holland-service/ford-new-holland-5640-6640-7740-service-repair-manual/>
341. <https://www.heavymachineryequipment.com/case-products/tractor-equipment/case-350b-industrial-tractor-operators-manual/>
342. <https://www.heavymachineryequipment.com/bobcat-parts/bobcat-742b-743b-skid-steer-loader-service-repair-manual/>
343. <https://www.heavymachineryequipment.com/new-holland-service/new-holland-8160-8260-8360-8560-tractor-supply-service-manual/>
344. <https://www.heavymachineryequipment.com/case-products/case-350b-crawler-tractor-operators-owner-instruction-manual/>
345. <https://www.heavymachineryequipment.com/downloads/bobcat-553-skid-steer-loader-service-repair-manual/>
346. <https://www.heavymachineryequipment.com/downloads/bobcat-130-hydraulic-excavator-service-repair-workshop-manual/>
347. <https://www.heavymachineryequipment.com/downloads/bobcat-x-116-hydraulic-excavator-service-repair-workshop-manual/>
348. <https://www.heavymachineryequipment.com/downloads/bobcat-x100-excavator-service-repair-workshop-manual/>

# Excavator Service Repair Manual

349. <https://www.heavymachineryequipment.com/downloads/bobcat-730-731-732-skid-steer-loader-service-repair-manual/>
350. <https://www.heavymachineryequipment.com/downloads/gehl-sl4635-sl4835-skid-loaders-service-repair-manual/>
351. <https://www.heavymachineryequipment.com/downloads/gehl-sl7610-sl7710-sl7810-skid-steer-loaders-service-repair-manual/>
352. <https://www.heavymachineryequipment.com/downloads/gehl-r190-r220-r260-service-repair-manual/>
353. <https://www.heavymachineryequipment.com/downloads/gehl-4640-5240e-power2-mustang-2056-series-ii-skid-steer-loaders-service-manual/>
354. <https://www.heavymachineryequipment.com/downloads/kobelco-sk09sr-excavator-service-workshop-manual/>
355. <https://www.heavymachineryequipment.com/downloads/gehl-sl4640e-sl5240e-skid-steer-loader-parts-manual/>
356. <https://www.heavymachineryequipment.com/downloads/allison-transmission-3500-sp-service-repair-manual/>
357. <https://www.heavymachineryequipment.com/downloads/allison-transmission-1000-mh-service-manual/>
358. <https://www.heavymachineryequipment.com/downloads/allison-transmission-md-3066-service-repair-manual/>
359. <https://www.heavymachineryequipment.com/downloads/allison-transmission-ht-740-service-repair-manual/>
360. <https://www.heavymachineryequipment.com/downloads/bomag-bw-177-bw-213-service-repair-manual/>
361. <https://www.heavymachineryequipment.com/downloads/sany-sy195-sy205-sy215-sy225-service-manual/>
362. <https://www.heavymachineryequipment.com/downloads/volvo-bm-4400-wheel-loader-service-repair-manual/>
363. <https://www.heavymachineryequipment.com/downloads/volvo-mc70c-skid-steer-loader-service-manual/>
364. <https://www.heavymachineryequipment.com/downloads/volvo-mt2000-tracked-milling-equipment-service/>
365. <https://www.heavymachineryequipment.com/downloads/volvo-ew200-akerman-excavator-repair-manual/>
366. <https://www.heavymachineryequipment.com/downloads/jcb-160-170-170hf-180-robot-service-manual/>
367. <https://www.heavymachineryequipment.com/downloads/jcb-js330-js450-excavator-repair-manual/>

# Excavator Service Repair Manual

368. <https://www.heavymachineryequipment.com/downloads/jcb-530-70-533-105-535-60-service-repair-manual/>
369. <https://www.heavymachineryequipment.com/downloads/kubota-m9000-m900dt-m-service-repair-manual/>
370. <https://www.heavymachineryequipment.com/downloads/cool-jcb-190-1110-robot-service-repair-pdf-manual/>
371. <https://www.heavymachineryequipment.com/downloads/cool-jcb-505-19-505-22-506-36-service-repair-manual/>
372. <https://www.heavymachineryequipment.com/downloads/jcb-515-40-telescopic-handler-service-manual/>
373. <https://www.heavymachineryequipment.com/downloads/joy-jcb-520-40-524-50-527-55-service-manual/>
374. <https://www.heavymachineryequipment.com/downloads/hitachi-zaxis-70-80-excavator-parts-manual/>
375. <https://www.heavymachineryequipment.com/downloads/kubota-l4100hst-tractor-workshop-manual/>
376. <https://www.heavymachineryequipment.com/downloads/kubota-m9000-m900dt-m-service-manual/>
377. <https://www.heavymachineryequipment.com/downloads/john-deere-js26-js28-js36-service-repair-manual/>
378. <https://www.heavymachineryequipment.com/downloads/volvo-bl61-backhoe-service-manual/>
379. <https://www.heavymachineryequipment.com/downloads/volvo-l180c-co-l180cco-wheel-loader-service-manual/>
380. <https://www.heavymachineryequipment.com/downloads/volvo-l180c-hl-l180chl-wheel-loader-service-manual/>
381. <https://www.heavymachineryequipment.com/downloads/volvo-ec13-xtv-ec13xtv-excavator-service-repair-manual/>
382. <https://www.heavymachineryequipment.com/downloads/volvo-mc60-mc70-skid-steer-loader-service-repair-manual/>
383. <https://www.heavymachineryequipment.com/downloads/volvo-mc80-mc90-mc110-skid-steer-loader-service-repair-manual/>
384. <https://www.heavymachineryequipment.com/downloads/volvo-a30c-articulated-dump-truck-service-repair-manual/>
385. <https://www.heavymachineryequipment.com/downloads/volvo-l90cor-l90c-wheel-loader-service-repair-manual/>
386. <https://www.heavymachineryequipment.com/downloads/volvo-ec25-compact-excavator/>
387. <https://www.heavymachineryequipment.com/downloads/volvo-l330c-wheel-loader-service-repair-manual/>

# Excavator Service Repair Manual

388. <https://www.heavymachineryequipment.com/downloads/case-loader-backhoe-580m-580sm-590sm/>
389. <https://www.heavymachineryequipment.com/downloads/kubota-m6800s-tractor-service-repair-manual/>
390. <https://www.heavymachineryequipment.com/downloads/kubota-bx1860-bx2360-bx2660-repair-manual-download/>
391. <https://www.heavymachineryequipment.com/downloads/kubota-bx1850-tractor-rck48-18bx-rotary-mower-service-manual/>
392. <https://www.heavymachineryequipment.com/downloads/kubota-rck48-18bx-tractor-service-repair-manual/>
393. <https://www.heavymachineryequipment.com/downloads/case-wx148-wheeled-excavator-service-repair-workshop-manual/>
394. <https://www.heavymachineryequipment.com/privacy-policy/>
395. <https://www.heavymachineryequipment.com/downloads/case-alpha-series-skid-steer-loader-repair-manual/>
396. <https://www.heavymachineryequipment.com/downloads/new-holland-w50-w60-w70-w80-wheel-loader-service-manual/>
397. <https://www.heavymachineryequipment.com/downloads/new-holland-ls160-ls170-skid-steer-loader-service-manual/>
398. <https://www.heavymachineryequipment.com/downloads/john-deere-x500-x520-x530-x534-x540-select-series-repair-manual/>
399. <https://www.heavymachineryequipment.com/downloads/john-deere-x700-x740-x748-ultimate-workshop-manual/>
400. <https://www.heavymachineryequipment.com/downloads/john-deere-x475-x485-x465-x575-x585-service-manual/>
401. <https://www.heavymachineryequipment.com/checkout/>
402. <https://www.heavymachineryequipment.com/checkout/purchase-confirmation/>
403. <https://www.heavymachineryequipment.com/checkout/transaction-failed/>
404. <https://www.heavymachineryequipment.com/checkout/purchase-history/>
405. <https://www.heavymachineryequipment.com/kubota-service-repair-manual/>
406. <https://www.heavymachineryequipment.com/construction/wheeled-excavators/kerman/ew200/>
407. <https://www.heavymachineryequipment.com/construction/wheeled-excavators/kerman/>
408. <https://www.heavymachineryequipment.com/construction/wheeled-excavators/>
409. <https://www.heavymachineryequipment.com/construction/motor-graders/volvo/g940c/>
410. <https://www.heavymachineryequipment.com/construction/motor-graders/volvo/>
411. <https://www.heavymachineryequipment.com/constructions/>

# Excavator Service Repair Manual

412. <https://www.heavymachineryequipment.com/privacy-policy-2/>
413. <https://www.heavymachineryequipment.com/heavy-equipment/bomag/bomag-bw-154-ad-ac-4-tandem-rollers-service-manual/>
414. <https://www.heavymachineryequipment.com/heavy-equipment/bomag/bomag-bw-120-ad-4-bw-125-ad-4-service-manual/>
415. <https://www.heavymachineryequipment.com/heavy-equipment/bomag/bomag-bc-772-rb-sanitary-landfill-compactor-service-manual/>
416. <https://www.heavymachineryequipment.com/heavy-equipment/bomag/bomag-bw141ad-4bw151-ad-4bw151ac-4-manual/>
417. <https://www.heavymachineryequipment.com/heavy-equipment/bomag/bomag-bw172-2d-workshop-manuals-3-manuals/>
418. <https://www.heavymachineryequipment.com/heavy-equipment/bomag/bomag-bw211d-40-service-operators-manuals/>
419. <https://www.heavymachineryequipment.com/heavy-equipment/bomag/bomag-bw145d-repair-training-operation-manual/>
420. <https://www.heavymachineryequipment.com/komatsu/komatsu-gd530aw-2b-factory-service-manual/>
421. <https://www.heavymachineryequipment.com/komatsu/komatsu-gd530aw-2a-workshop-service-manual/>
422. <https://www.heavymachineryequipment.com/komatsu/komatsu-gd530aw-workshop-service-manual/>
423. <https://www.heavymachineryequipment.com/komatsu/komatsu-gd530a-2c-workshop-repair-service-manual/>
424. <https://www.heavymachineryequipment.com/komatsu/komatsu-gd530a-2b-workshop-repair-service-manual/>
425. <https://www.heavymachineryequipment.com/komatsu/komatsu-gd530a-2a-workshop-repair-service-manual/>
426. <https://www.heavymachineryequipment.com/komatsu/komatsu-gd530a-1e-repair-service-manual/>
427. <https://www.heavymachineryequipment.com/flat-allis/flat-allis-fd255-crawler-dozer-manual/>
428. <https://www.heavymachineryequipment.com/flat-allis/flat-allis-fd195-fd195l-crawler-dozer-manual/>
429. <https://www.heavymachineryequipment.com/flat-allis/flat-allis-fd175-crawler-dozer-manual/>
430. <https://www.heavymachineryequipment.com/flat-allis/flat-allis-fd145-crawler-dozer-manual/>
431. <https://www.heavymachineryequipment.com/flat-allis/flat-allis-fd80-crawler-dozer-manual-set/>
432. <https://www.heavymachineryequipment.com/flat-allis/flat-allis-945-wheel-loader-service-parts-manual/>



# Excavator Service Repair Manual

433. <https://www.heavymachineryequipment.com/flat-allis/flat-allis-745hb-wheel-loader-catalogue-manual/>
434. <https://www.heavymachineryequipment.com/flat-allis/flat-allis-745b-wheel-loader-service-parts-manual/>
435. <https://www.heavymachineryequipment.com/flat-allis/flat-allis-345b-wheel-loader-service-parts-manual/>
436. <https://www.heavymachineryequipment.com/flat-allis/flat-allis-16b-crawler-tractor-service-parts-manual/>
437. <https://www.heavymachineryequipment.com/champion/champion-road-machinery-700-workshop-service-repair/>
438. <https://www.heavymachineryequipment.com/case-products/case-845b-845b-dhp-865b-865b-vhp-service-repair-manual/>
439. <https://www.heavymachineryequipment.com/construction/motor-graders/volvo-service/>
440. <https://www.heavymachineryequipment.com/construction/motor-graders/>
441. <https://www.heavymachineryequipment.com/construction/>
442. <https://www.heavymachineryequipment.com/new-holland-service/volvo-marine-truck-engine-d11-workshop-manual/>
443. <https://www.heavymachineryequipment.com/gehl/gehl-5635-6635-skid-steer-part-ipl-manual/>
444. <https://www.heavymachineryequipment.com/manuals-technical/volvo-excavators/>
445. <https://www.heavymachineryequipment.com/manuals-technical/>
446. <https://www.heavymachineryequipment.com/case-products/dozer-bulldozer-service-manuals/case-750l-850l-tier-3-crawler-dozer-operators-manual/>
447. <https://www.heavymachineryequipment.com/error-404/>
448. <https://www.heavymachineryequipment.com/kobelco/kobelco-k903c-excavator-parts-catalog-manual/>
449. <https://www.heavymachineryequipment.com/daewoo-doosan/225lc-v-daewoo-doosan-crawler-excavator-parts-manual/>
450. <https://www.heavymachineryequipment.com/new-holland-service/new-holland-l565-skid-steer-loader-illustrated-parts-list-manual/>
451. <https://www.heavymachineryequipment.com/new-holland-service/new-holland-l781-skid-steer-loader-illustrated-parts-list-manual/>
452. <https://www.heavymachineryequipment.com/new-holland-service/new-holland-l775-skid-steer-loader-illustrated-parts-list-manual/>
453. <https://www.heavymachineryequipment.com/new-holland-service/new-holland-l779-skid-steer-loader-illustrated-parts-list-manual/>
454. <https://www.heavymachineryequipment.com/gehl/gehl-5635-6635-skid-loaders-service-repair-manual/>

# Excavator Service Repair Manual

455. <https://www.heavymachineryequipment.com/gehl/gehl-125-mix-all-parts-pdf-manual/>
456. <https://www.heavymachineryequipment.com/transmission/allison-transmission-2500-avs-service-repair-manual/>
457. <https://www.heavymachineryequipment.com/bobcat-parts/bobcat-compact-2006-track-loader-t300-turbo-high-flow/>
458. <https://www.heavymachineryequipment.com/transmission/allison-transmission-4500-sp-service-repair-manual/>
459. <https://www.heavymachineryequipment.com/transmission/allison-transmission-2100-pts-service-repair-manual/>
460. <https://www.heavymachineryequipment.com/hitachi-machinery/excavator-service-manuals/tadano-faun-mobile-crane-atf160g-5-original-operating-manual/>
461. <https://www.heavymachineryequipment.com/bobcat-parts/bobcat-compact-track-loader-g-series-t190-turbo-high-flow-service-repair-manual/>
462. <https://www.heavymachineryequipment.com/bobcat-parts/bobcat-compact-track-loader-t140-2009-sn-529311001-service-repair-manual/>
463. <https://www.heavymachineryequipment.com/bobcat-parts/bobcat-skid-steer-loader-s70-service-repair-manual/>
464. <https://www.heavymachineryequipment.com/case-products/tractor-equipment/mccormick-xtx-series-tractor-service-fix-manual/>
465. <https://www.heavymachineryequipment.com/case-products/tractor-equipment/mccormick-xtx215-xtx-215-tractor-service-fix-manual/>
466. <https://www.heavymachineryequipment.com/case-products/tractor-equipment/mccormick-xtx200-xtx-200-tractor-service-fix-manual/>
467. <https://www.heavymachineryequipment.com/case-products/tractor-equipment/mccormick-xtx185-xtx-185-tractor-service-fix-manual/>
468. <https://www.heavymachineryequipment.com/gehl/gehl-1640e-mustang-2012-skid-steer-loaders-service-repair-manual/>
469. <https://www.heavymachineryequipment.com/transmission/allison-transmission-3000-and-4000-service-repair-manual/>
470. <https://www.heavymachineryequipment.com/hitachi-machinery/hitachi-zaxis-zx650lc-3-zx670lc-3-excavator-parts-catalog-manual/>
471. <https://www.heavymachineryequipment.com/bobcat-parts/bobcat-x220-hydraulic-excavator-service-workshop-manual/>
472. <https://www.heavymachineryequipment.com/bobcat-parts/bobcat-x225-hydraulic-excavator-service-workshop-manual/>
473. <https://www.heavymachineryequipment.com/bobcat-parts/bobcat-310-313-skid-steer-loader-service-repair/>

# Excavator Service Repair Manual

474. <https://www.heavymachineryequipment.com/bobcat-parts/bobcat-310-313-skid-steer-loader-factory-manual/>
475. <https://www.heavymachineryequipment.com/bobcat-parts/bobcat-316-mini-excavator-solution-repair-service-guidebook/>
476. <https://www.heavymachineryequipment.com/bobcat-parts/bobcat-319-compact-excavator-solution-repair-manual/>
477. <https://www.heavymachineryequipment.com/bobcat-parts/bobcat-x320-x322-hydraulic-excavator-workshop-manual/>
478. <https://www.heavymachineryequipment.com/bobcat-parts/bobcat-320-320l-322-d-series-excavator-repair-handbook/>
479. <https://www.heavymachineryequipment.com/agriculture/crawler-tractors/case/450-2/>
480. <https://www.heavymachineryequipment.com/agriculture/crawler-tractors/case/850-k/>
481. <https://www.heavymachineryequipment.com/agriculture/crawler-tractors/case/750-k/>
482. <https://www.heavymachineryequipment.com/agriculture/crawler-tractors/case/650-k/>
483. <https://www.heavymachineryequipment.com/new-holland-service/new-holland-tn55-tn65-tn70-tn75-tractor-service-repair-manual/>
484. <https://www.heavymachineryequipment.com/bobcat-parts/bobcat-741-742-743-743ds-skid-steer-loader-service-workshop-manual/>
485. <https://www.heavymachineryequipment.com/bobcat-parts/bobcat-323-compact-excavator-service-manual/>
486. <https://www.heavymachineryequipment.com/case-products/case-cx350b-excavator-tier-3-factory-operators-owner-maintenance-manual/>
487. <https://www.heavymachineryequipment.com/agriculture/crawler-tractors/case/350-b/>
488. <https://www.heavymachineryequipment.com/agriculture/crawler-tractors/case/>
489. <https://www.heavymachineryequipment.com/agriculture/crawler-tractors/>
490. <https://www.heavymachineryequipment.com/agriculture/tractors/new-holland/>
491. <https://www.heavymachineryequipment.com/agriculture/tractors/>
492. <https://www.heavymachineryequipment.com/agriculture/>
493. <https://www.heavymachineryequipment.com/bobcat-parts/bobcat-753-skid-steer-loader-service-repair-workshop-manual/>
494. <https://www.heavymachineryequipment.com/bobcat-parts/bobcat-325-328-portable-excavator-repair-guidebook/>
495. <https://www.heavymachineryequipment.com/bobcat-parts/bobcat-329-compact-excavator-service-repair-manual/>
496. <https://www.heavymachineryequipment.com/bobcat-parts/bobcat-x56-x76-excavator-solution-repair-service-manual/>

# Excavator Service Repair Manual

497. <https://www.heavymachineryequipment.com/bobcat-parts/bobcat-x231-hydraulic-excavator-repair-workshop-manual/>
498. <https://www.heavymachineryequipment.com/bobcat-parts/bobcat-320-322-hydraulic-excavator-workshop-manual/>
499. <https://www.heavymachineryequipment.com/bobcat-parts/bobcat-x331-x331e-x334-hydraulic-excavator-service-fixing-manual/>
500. <https://www.heavymachineryequipment.com/bobcat-parts/bobcat-331-331e-334-compact-excavator-workshop-manual/>
501. <https://www.heavymachineryequipment.com/bobcat-parts/bobcat-335-compact-excavator-service-handbook/>
502. <https://www.heavymachineryequipment.com/new-holland-service/new-holland-t8030-t8040-master-tractor-service-repair-manual/>
503. <https://www.heavymachineryequipment.com/new-holland-service/new-holland-e115sr-e135sr-crawler-excavator-service-manual/>
504. <https://www.heavymachineryequipment.com/new-holland-service/new-holland-200-l213-l215-l218-l220-l223-l225-l230-skid-steer-service-manual/>
505. <https://www.heavymachineryequipment.com/new-holland-service/case-new-holland-445-m2-445t-668t-diesel-engine-service-manual/>
506. <https://www.heavymachineryequipment.com/new-holland-service/case-new-holland-kobelco-667ta-eeg-667ta-eec-667ta-service-repair-workshop-manual/>
507. <https://www.heavymachineryequipment.com/cub-cadet/cub-cadet-1000-1500-series-riding-tractor-service-repair-manual/>
508. <https://www.heavymachineryequipment.com/new-holland-service-repair-manual/>
509. <https://www.heavymachineryequipment.com/new-holland-service/new-holland-b95tc-tractor-loader-backhoe-tlb-illustrated-parts-manual/>
510. <https://www.heavymachineryequipment.com/new-holland-service/new-holland-kobelco-lb-115-b-backhoe-loader-parts-manual/>
511. <https://www.heavymachineryequipment.com/new-holland-service/new-holland-b90b-b90blr-b95b-b95blr-b95btc-service-parts-catalogue-manual/>
512. <https://www.heavymachineryequipment.com/case-products/tractor-equipment/case-274-tractor-harvester-repair-manual/>
513. <https://www.heavymachineryequipment.com/case-products/case-580-super-k-580sk-loader-backhoe-operators-manual/>
514. <https://www.heavymachineryequipment.com/case-products/operator/case-ih-8455-8460-round-baler-tractor-operators-manual-splendid/>
515. <https://www.heavymachineryequipment.com/case-products/case-580ck-loader-backhoe-tractor-parts-manual-equipment/>

# Excavator Service Repair Manual

516. <https://www.heavymachineryequipment.com/case-products/operator/case-jx55-jx65-jx75-jx85-jx95-operator-manual/>
517. <https://www.heavymachineryequipment.com/case-products/tractor-equipment/case-ih-cx-50-60-70-80-90-100-repair-service-manual-brands/>
518. <https://www.heavymachineryequipment.com/case-products/case-320-tractor-loader-backhoe-operators-manual/>
519. <https://www.heavymachineryequipment.com/case-products/operator-manuals/>
520. <https://www.heavymachineryequipment.com/case-products/dozer-bulldozer-service-manual/>
521. <https://www.heavymachineryequipment.com/volvo-equipment/wheel-loader-service-manual/volvo-l90h-wheel-loaders-workshop-service-manual/>
522. <https://www.heavymachineryequipment.com/case-products/operator/case-ih-steiger-400-450-500-550-600-tier-2-operators-manual/>
523. <https://www.heavymachineryequipment.com/case-products/tractor-equipment/case-international-ih-235-235h-245-255-265-275-tractor-shop-manual/>
524. <https://www.heavymachineryequipment.com/terex-machinery/>
525. <https://www.heavymachineryequipment.com/volvo-equipment/wheel-loader-service-manual/volvo-l70h-wheel-loaders-workshop-service-manual/>
526. <https://www.heavymachineryequipment.com/volvo-equipment/wheel-loader-service-manual/volvo-l60h-wheel-loaders-workshop-service-manual/>
527. <https://www.heavymachineryequipment.com/case-products/tractor-equipment/case-7130-7140-tractor-service-manual/>
528. <https://www.heavymachineryequipment.com/case-products/tractor-equipment/case-va-vac-vaevah-vao-tractor-engine-repair-manual/>
529. <https://www.heavymachineryequipment.com/case-products/operator/case-9050b-excavator-operators-manual/>
530. <https://www.heavymachineryequipment.com/case-products/case-cx330-cx350-crawler-excavator-service-manual/>
531. <https://www.heavymachineryequipment.com/case-products/case-16b-18b-cx-mini-excavator-repair-manual/>
532. <https://www.heavymachineryequipment.com/case-products/crawler-digger/case-cx350c-cx370c-tier-4-excavator-repair-manual/>
533. <https://www.heavymachineryequipment.com/trucks-service-repair/hino-ranger-500-trucks-2001-2016-factory-service-shop-manual/>
534. <https://www.heavymachineryequipment.com/case-products/case-ih-stx280-stx330-stx380-tractor-service-repair-manual/>
535. <https://www.heavymachineryequipment.com/case-products/case-multicontroller-tractor-service-repair-manuals/>
536. <https://www.heavymachineryequipment.com/case-products/backhoe-loader-repair-manual-pdf/>

# Excavator Service Repair Manual

537. <https://www.heavymachineryequipment.com/case-products/excavator-service-repair-manuals/>
  538. <https://www.heavymachineryequipment.com/hitachi-machinery/excavator-service-manuals/hitachi-zaxis-zx-120-3-excavator-workshop-manual/>
  539. <https://www.heavymachineryequipment.com/hitachi-machinery/hitachi-zaxis-zx-130k-3-130l-3-excavator-workshop-service-manual/>
  540. <https://www.heavymachineryequipment.com/hitachi-machinery/hitachi-zaxis-zx-200-225-230-270/>
  541. <https://www.heavymachineryequipment.com/hitachi-machinery/hitachi-zaxis-zx-670lc-5g-excavator-workshop-service-manual/>
  542. <https://www.heavymachineryequipment.com/hitachi-machinery/excavator-service-manuals/hitachi-zaxis-70-3-70lc-3-75us-3-80lck-3-85usb-3-excavator-operator-manual/>
  543. <https://www.heavymachineryequipment.com/hitachi-machinery/hitachi-zaxis-27u-2-30u-2-35u-2-40u-2-50u-2-operator-manual/>
  544. <https://www.heavymachineryequipment.com/hitachi-machinery/zaxis-excavators-service-manuals/zx-repair-ebook/>
  545. <https://www.heavymachineryequipment.com/hitachi-machinery/ex-shovels-service-manuals/>
  546. <https://www.heavymachineryequipment.com/hitachi-machinery/zaxis-excavators-service-manuals/>
  547. <https://www.heavymachineryequipment.com/hitachi-machinery/>
  548. <https://www.heavymachineryequipment.com/case-products/>
  549. <https://www.heavymachineryequipment.com/volvo-excavator-models/hydraulic-excavator/>
  550. <https://www.heavymachineryequipment.com/hyundai-equipment-service/>
  551. <https://www.heavymachineryequipment.com/volvo-excavator-models/articulated-hauler/>
  552. <https://www.heavymachineryequipment.com/volvo-excavator-models/wheel-loader/>
  553. <https://www.heavymachineryequipment.com/volvo-excavator-models/backhoe-loader-service-manual/>
  554. <https://www.heavymachineryequipment.com/volvo-equipment/skid-steer-loader/volvo-construction-equipment/>
  555. <https://www.heavymachineryequipment.com/volvo-excavator-models/skid-steer-loader/>
  556. <https://www.heavymachineryequipment.com/contact/>
  557. <https://www.heavymachineryequipment.com/volvo-owner-manual/>
  558. <https://www.heavymachineryequipment.com/volvo-excavator-models/>
  559. <https://www.heavymachineryequipment.com/excavator-brands-service-repair/>
-

# **Excavator Service Repair Manual**