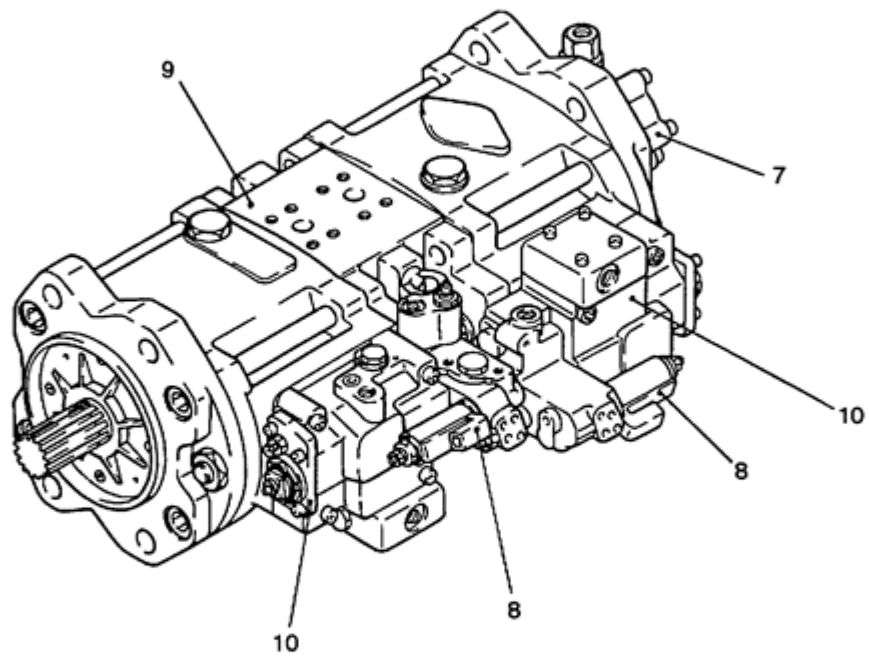


SK330LC-6E : DYNAMIC ACERA EXCAVATOR ASN YC07U0623

07-009 - HYDRAULIC PUMP ASSEMBLY

CHAPTER 8 - ELECTRICAL AND HYDRAULIC COMPONENTS



DC03J182

SK330LC-6E : DYNAMIC ACERA EXCAVATOR ASN YC07U0623

07-009 - HYDRAULIC PUMP ASSEMBLY

Ref	Qty	Part Number	Description	OH	Indicators
	AR	LC10V00005F4	PUMP		→
7	1	YN10V00014F2	PUMP ASSEMBLY, GEAR, See Art CR8-27		←
8	2	YB35V00003F1	VALVE SOLENOID, See Art CR8-29		←
9	1	LC10V00008F2	PUMP ASSEMBLY, HYDRAULIC, See Art CR8-23 & CR8-24		
10	2	LC10V01002F2	REGULATOR See Art CR8-31		←
	1	YN10V00023S009	GUARD Not Shown		←
	4	ZS23C10020	SCREW M10x1.50x20mm -- Not Shown		←